



Product catalogue

Floor Access Covers



FF Systems

■ ■ Italia

Sistemi d'ispezione

FF Systems - Around

The Group



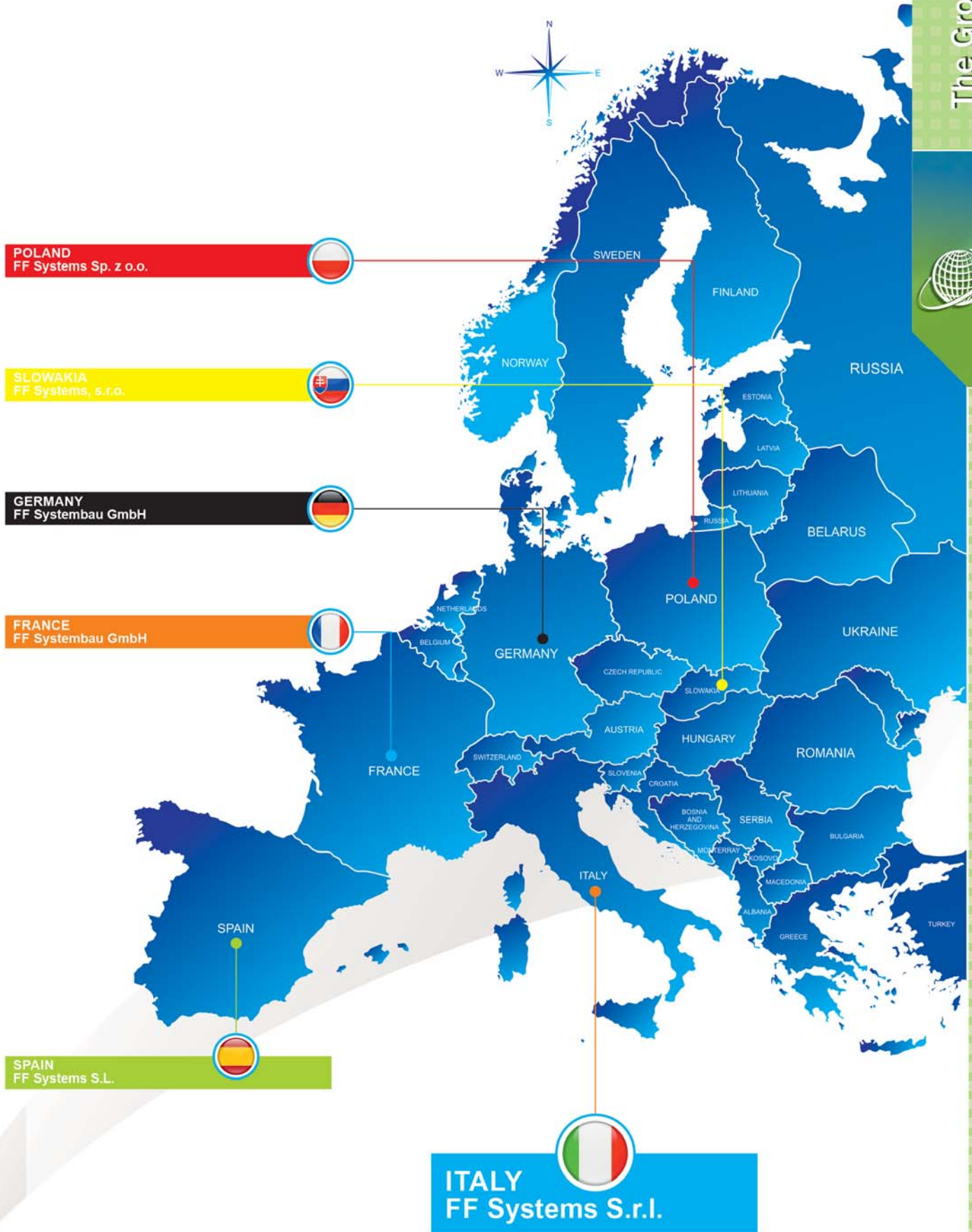
USA
FF Systems, Inc.



produciamo soluzioni

FF Systems Italia

Sistemi d'ispezione



produciamo soluzioni

FF Systems Italia

Sistemi d'ispezione

FF Systems - the company

Modern and experienced company:

FF Systems is one of the leading producers of access panels. Founded in 1991 the company's experience in the construction industry has greatly expanded its product lines to supply the market. In 2003 it has specialized in the manufacturing of access panels and doors.

Further companies have been established in Central, Eastern Europe and in the United States. With the headquarters located in Münchsdorf Germany our production and administration offices are also located on our 5.000 m² site.

The highest technical reliability of our products, as well as the highly qualified employees, guarantee the sustainable success of FF Systems. At present, the company employs more than 150 members of staff.



Quality – consistent company policy

The highest product quality and absolute reliability of our products guarantee total confidence to the customer when installing our access panels. Therefore, FF Systems has become a byword for quality management, and we strive to maintain a consistent company policy at all our subsidiaries. Every member of our staff loyally adheres to this policy, from the moment our raw materials are processed, to the delivery of the finished product. Furthermore, our dedicated and helpful advisors will give you all the advice and practical support you require.

Our ambition

It is our aim to reach the highest degree of customer satisfaction through variety and efficiency.

Versatile and innovative product range

Our unique range of products offers access panels in the widest selection of designs. Whether for ceilings or walls, the solid aluminium access panels, with or without plasterboard inlay, or the long-established sheet steel access panels, can be assembled flush.

Our products are readily installable without any difficulties. The access panels are available in many standard dimensions. Additionally, customized sizes can be manufactured to every requested dimension. This also applies to our fire resistant access panels. Different models are available, depending on purpose, and class of fire resistance required.

produciamo soluzioni
FF Systems Italia
Sistemi d'ispezione



Floor access covers fillable

Professional *Line*+



Page 8

System PRO+ slim

Floor access cover
Galvanized steel /
Stainless steel



Page 10

System PRO+

Floor access cover
Galvanized steel /
Stainless steel



Page 12

System PRO+Maxi

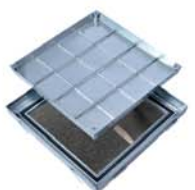
Floor access cover
Galvanized steel /
Stainless steel



Page 14

System PRO+BS fire protection

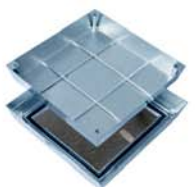
Aluminium **EI 120**



Page 16

System PRO+TH Thermo

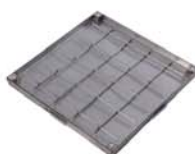
Floor access cover
Galvanized steel /
Stainless steel



Page 18

System PRO+MTH Thermo

Floor access cover
Galvanized steel /
Stainless steel



Page 9

System PRO+ slim

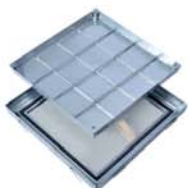
Floor access cover
Galvanized steel /
Stainless steel



Page 11

System PRO+

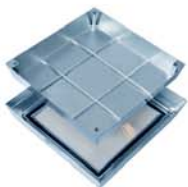
Floor access cover
Aluminium



Page 13

System PRO+BS fire protection

Floor access cover
Galvanized steel /
Stainless steel **EI 120**



Page 15

System PRO+MBS fire protection

Floor access cover
Galvanized steel /
Stainless steel **EI 120**



Page 17

System PRO+TH Thermo

Floor access cover
Aluminium

Floor access covers with assisted opening

Master *Line*



Page 20

System MA-GB

Floor access cover
Stainless steel, with assisted
opening



Page 22

System MA-BS fire protection

Floor access cover
Stainless steel, with assisted
opening **EI 90**



Page 24

System MA-WB

Floor access cover
Stainless steel, power assisted
opening, walkable, waterproof



Page 21

System MA-GBZ

Floor access cover
Stainless steel, with assisted
opening and central closure



Page 23

System MA-BSZ fire protection

Floor access cover, with assisted
opening and central closure **EI 90**

Contents

Floor access covers with tread plate

RibbedLine



Page 26

MA-WT

Floor access cover
Stainless steel, power assisted opening, walkable, waterproof



Page 28

Sistema PRO-RI

Floor access cover
Aluminium tread plate



Page 30

Sistema ECO-RIWA

Floor access cover
Aluminium tread plate protruding



Page 27

MA-GTR

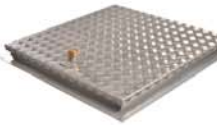
Floor access cover
Stainless steel, with opening assistance



Page 29

Sistema PRO+TR

Floor access cover
Galvanized steel /
Stainless steel tread plate



Page 31

SA3-RI

Floor access cover
Aluminium / Stainless steel
weatherproof accessible square

Manhole covers weatherproof



SHAFT Line



Page 33

SA1

with air vent / without air vent
Stainless steel, weatherproof, square

Sandblasted surface



Page 34

SA2

with air vent / without air vent
Stainless steel, weatherproof, round

Sandblasted surface



Page 35

SA3

with air vent / without air vent
Stainless steel, weatherproof, burglary-resistant, square

Sandblasted surface



Page 36

SA4

with air vent / without air vent
Stainless steel, weatherproof, burglary-resistant, round

Sandblasted surface



Page 37

SA5

anti flood
Stainless steel, square

Sandblasted surface



Page 38

SA6

anti flood
Stainless steel, round

Sandblasted surface

Floor access covers fillable

EcoLine



Page 40

System ECO

Floor access cover
Galvanized steel / Stainless steel
without sealing
fillable



Page 41

System PRO

Floor access cover
Galvanized steel / Stainless steel
with sealing
fillable

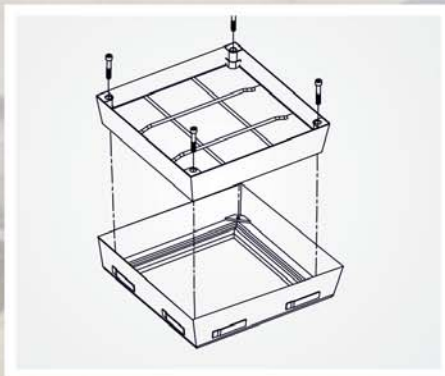
EasyLifter

Lift it up



Page 42

EasyLifter



Professional *Line+*

produciamo soluzioni

FF Systems Italia

Sistemi d'ispezione



Floor access cover system PRO+ slim

Hot-dip galvanized steel

ProfessionalLine+

Product description:

The floor access cover system PRO+ slim is made of 2 mm hot-dip galvanized steel. The tray depth is 27 mm and the installation height is only 50 mm. The frame is equipped with a circumferential, frost- and weather-resistant special sealing joint, which is largely odor- and water-tight. The frame is set in concrete on grade. Subsequently, the tray can be filled and inserted into the frame. The cover is fixed on the frame on the 4 corner points. The cover can be lifted out on these points with the lifting key. The tray can be filled with paving, tiles, concrete, artificial resin, granite, terrazzo tiles, wood and hard floor covering or other materials.



Load: Up to class A15

Material: Frame and tray made of 2 mm galvanized steel

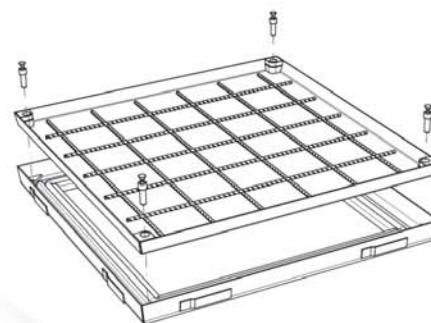
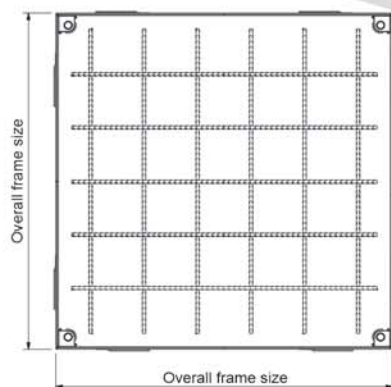
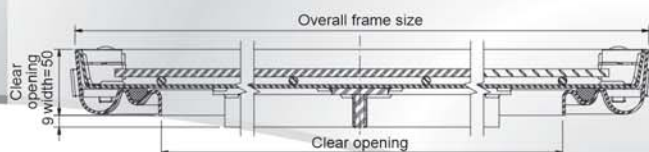
Areas of use: For on grade manholes indoor and outdoor areas

PRO+



Item no.	Overall frame size [ca. mm]	Clear opening [ca. mm]	Empty weight [ca. kg.]
PRO+S-300300V50	430 x 430	300 x 300	11 kg
PRO+S-400400V50	530 x 530	400 x 400	13 kg
PRO+S-500500V50	630 x 630	500 x 500	17 kg
PRO+S-600600V50	730 x 730	600 x 600	21 kg
PRO+S-800800V50	930 x 930	800 x 800	28 kg

Height 50 mm



Opening: A lifting key and installation instructions are included with every FF floor access cover.

Installation:

The installation shall be implemented in a professional manner in accordance with our installation instructions. With types with special sealing joint, a tight connection to the frame profile is to be ensured.

Special benefits of our system

- With frost- and weather-resistant special sealing joint
- With fixing anchors for safe support
- Once installed it is almost invisible
- The tray depth is 27 mm
- It can be easily opened due to the conic construction method



watch application video



EasyLifter

We recommend using the EasyLifter for fillable access covers as of a weight of 50 kg (including filling)



watch installation video

Floor access cover system PRO+ slim

Stainless steel

ProfessionalLine+



Stainless steel

Product description:

The floor access cover system PRO+ slim is made of 2 mm stainless steel. The tray depth is 27 mm and the installation height is only 50 mm. The frame is equipped with a circumferential, frost- and weather-resistant special sealing joint, which is largely odor- and water-tight. The frame is set in concrete on grade. Subsequently, the tray can be filled and inserted into the frame. The cover is fixed on the frame on the 4 corner points. The cover can be lifted out on these points with the lifting key- The tray can be filled with paving, tiles, concrete, artificial resin, granite, terrazzo tiles, wood and hard floor covering or other materials.



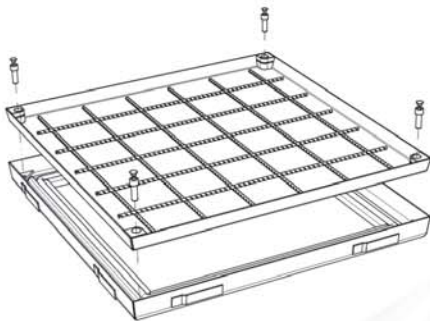
PRO+



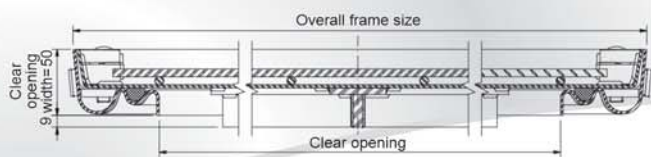
Load: Up to class A15

Material: Frame and tray made of 2 mm stainless steel

Areas of use: For on grade manholes indoor and outdoor areas



Item no.	Overall frame size [ca. mm]	Clear opening [ca. mm]	Empty weight [ca. kg.]
PRO+S-300300E50	430 x 430	300 x 300	8 kg
PRO+S-400400E50	530 x 530	400 x 400	11 kg
PRO+S-500500E50	630 x 630	500 x 500	15 kg
PRO+S-600600E50	730 x 730	600 x 600	19 kg
PRO+S-800800E50	930 x 930	800 x 800	27 kg



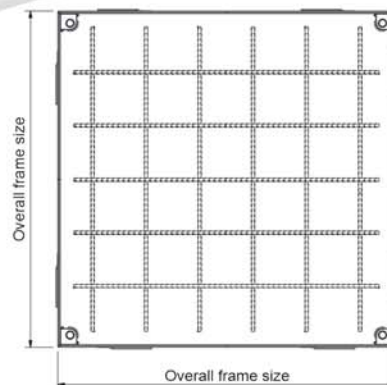
Opening: A lifting key and installation instructions are included with every FF floor access cover.

Installation:

The installation shall be implemented in a professional manner in accordance with our installation instructions. With types with special sealing joint, a tight connection to the frame profile is to be ensured.

Special benefits of our system

- With frost- and weather-resistant special sealing joint
- With fixing anchors for safe support
- Once installed it is almost invisible
- The tray depth is 27 mm
- It can be easily opened due to the conic construction method



watch application video



EasyLifter

We recommend using the EasyLifter for fillable access covers as of a weight of 50 kg (including filling)



watch installation video

Floor access cover system PRO+

Galvanized steel / Stainless steel

ProfessionalLine+



Product description:

The floor access cover system PRO+ is made of 2 mm galvanized steel or stainless steel. The tray depth is 50 mm and the structural height amounts to 75 mm only. The frame is equipped with a circumferential, frost- and weather-resistant special sealing joint, which is largely odor- and water-tight. The frame is set in concrete on grade. Subsequently, the tray can be filled and inserted into the frame. The cover is fixed on the frame on the 4 corner points. The cover can be lifted out on these points with the lifting key. The tray can be filled with paving, tiles, concrete, artificial resin, granite, terrazzo tiles, wood and hard floor covering or other materials.



Load: Up to 125 kN testing force according to EN 124 (class B125).

See table on page 41

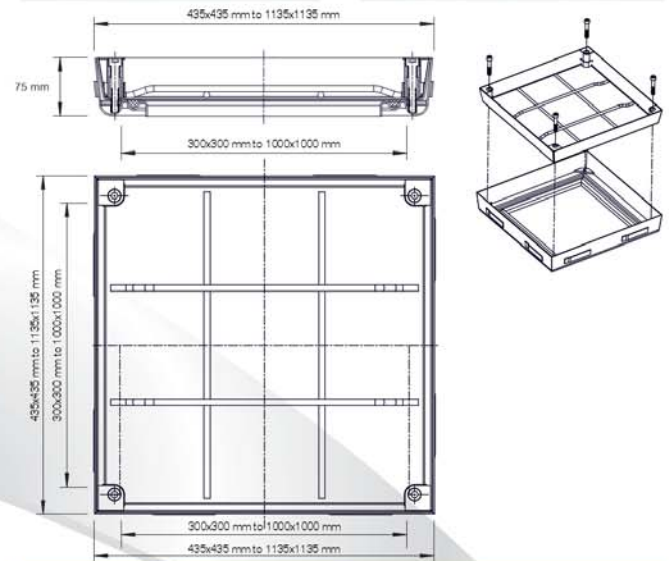
Material: Frame and tray made of 2 mm galvanized steel or stainless steel

Areas of use: For on grade manholes in indoor and outdoor areas

PRO+



Item no.	Overall frame size [ca. mm]	Clear opening [ca. mm]	Empty weight [ca. kg]
Galvanized steel			
PRO+300300V75	435 x 435	300 x 300	10 kg
PRO+400400V75	535 x 535	400 x 400	13 kg
PRO+500500V75	635 x 635	500 x 500	17 kg
PRO+600600V75	735 x 735	600 x 600	21 kg
PRO+700700V75	835 x 835	700 x 700	26 kg
PRO+800800V75	935 x 935	800 x 800	30 kg
PRO+10001000V75	1135 x 1135	1000 x 1000	42 kg
Stainless steel			
PRO+300300E75	435 x 435	300 x 300	9 kg
PRO+400400E75	535 x 535	400 x 400	11 kg
PRO+500500E75	635 x 635	500 x 500	15 kg
PRO+600600E75	735 x 735	600 x 600	18 kg
PRO+700700E75	835 x 835	700 x 700	24 kg
PRO+800800E75	935 x 935	800 x 800	29 kg
PRO+10001000E75	1135 x 1135	1000 x 1000	35 kg



Opening: A lifting key and installation instructions are included with every FF floor access cover.

Installation:

The installation shall be implemented in a professional manner in accordance with our installation instructions. With types with special sealing joint, a tight connection to the frame profile is to be ensured.

Special benefits of our system

- With frost- and weather-resistant special sealing joint
- With fixing anchors for safe support
- Almost invisible in the installed state
- The tray depth amounts to 50 mm
- With additional reinforcement cross-braces
- Can be easily opened due to the conic construction method



watch application video



EasyLifter

We recommend using the EasyLifter for fillable access covers as of a weight of 50 kg (including filling)



watch installation video

Floor access cover system PRO+

ProfessionalLine+

Aluminium



Product description:

The floor access cover system PRO+ is made of 2.5 mm aluminium. The tray depth is 65 mm and the structural height amounts to 75 mm only. The frame is equipped with a circumferential, frost- and weather-resistant special sealing joint, which is largely odor- and water-tight. The frame is set in concrete on grade. Subsequently, the tray can be filled and inserted into the frame. The cover is fixed on the frame on the 4 corner points. The cover can be lifted out on these points with the lifting key. The tray can be filled with paving, tiles, concrete, artificial resin, granite, terrazzo tiles, wood and hard floor covering or other materials.



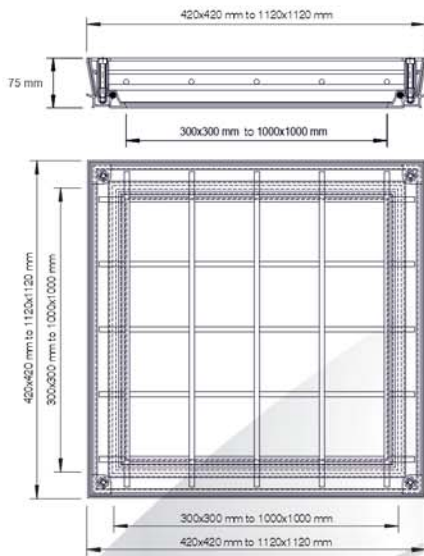
Load: Up to 125 kN testing force according to EN 124 (class B125).

See table on page 41

Material: Frame and tray made of 2.5 mm aluminium

Areas of use: For on grade manholes in indoor and outdoor areas

PRO+



Item no.	Overall frame size [ca. mm]	Clear opening [ca. mm]	Empty weight [ca. kg]
PRO+300300AL75	420 x 420	300 x 300	5 kg
PRO+400400AL75	520 x 520	400 x 400	6 kg
PRO+500500AL75	620 x 620	500 x 500	7 kg
PRO+600600AL75	720 x 720	600 x 600	8 kg
PRO+700700AL75	820 x 820	700 x 700	9 kg
PRO+800800AL75	920 x 920	800 x 800	11 kg
PRO+10001000AL75	1120 x 1120	1000 x 1000	15 kg

Special benefits of our system

- With frost- and weather-resistant special sealing joint
- Almost invisible in the installed state
- The tray depth amounts to 65 mm
- With additional reinforcement cross-braces
- Can be easily opened due to the conic construction method

Opening: A lifting key and installation instructions are included with every FF floor access cover.

Installation:

The installation shall be implemented in a professional manner in accordance with our installation instructions. With types with special sealing joint, a tight connection to the frame profile is to be ensured.



watch application video



EasyLifter

We recommend using the EasyLifter for fillable access covers as of a weight of 50 kg (including filling)



watch installation video

Floor access cover system PRO+Maxi

Galvanized steel / Stainless steel

ProfessionalLine+



Product description:

The floor access cover system PRO+Maxi is made of 2 mm galvanized steel or stainless steel. The tray depth is 100 mm and the structural height amounts to 125 mm only. The frame is equipped with a circumferential, frost- and weather-resistant special sealing joint, which is largely odor- and water-tight. The frame is set in concrete on grade. Subsequently, the tray can be filled and inserted into the frame. The cover is fixed on the frame on the 4 corner points. The cover can be lifted out on these points with the lifting key. The tray can be filled with paving, tiles, concrete, artificial resin, granite, terrazzo tiles, wood and hard floor covering or other materials.



Galvanized steel or stainless steel

Load: Up to 400 kN testing force according to EN 124 (class D400).

See table on page 41

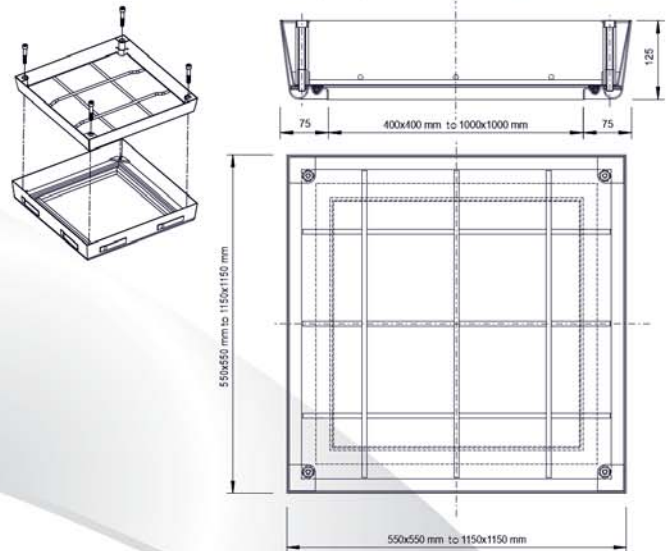
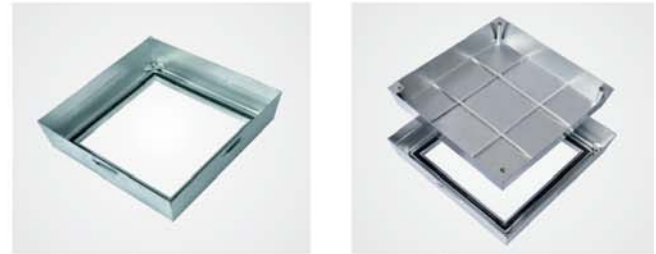
Material: Frame and tray made of 2 mm galvanized steel or stainless steel

Areas of use: For on grade manholes in indoor and outdoor areas

PRO+MAXI



Item no.	Overall frame size [ca. cm]	Clear opening [ca. mm]	Empty weight [ca. kg]
Galvanized steel			
PRO+M-400400V125	550 x 550	400 x 400	18 kg
PRO+M-500500V125	650 x 650	500 x 500	21 kg
PRO+M-600600V125	750 x 750	600 x 600	24 kg
PRO+M-700700V125	850 x 850	700 x 700	29 kg
PRO+M-800800V125	950 x 950	800 x 800	35 kg
PRO+M-10001000V125	1150 x 1150	1000 x 1000	45 kg
Stainless steel			
PRO+M-400400E125	505 x 550	400 x 400	15 kg
PRO+M-500500E125	650 x 650	500 x 500	16 kg
PRO+M-600600E125	750 x 750	600 x 600	23 kg
PRO+M-700700E125	850 x 850	700 x 700	27 kg
PRO+M-800800E125	950 x 950	800 x 800	32 kg
PRO+M-10001000E125	1150 x 1150	1000 x 1000	41 kg



Opening: A lifting key and installation instructions are included with every FF floor access cover.

Installation:

The installation shall be implemented in a professional manner in accordance with our installation instructions. With types with special sealing joint, a tight connection to the frame profile is to be ensured.

Special benefits of our system

- With frost- and weather-resistant special sealing joint
- With fixing anchors for safe support
- Almost invisible in the installed state
- The tray depth amounts to 100 mm
- With additional reinforcement cross-braces
- Can be easily opened due to the conic construction method



watch application video



EasyLifter

We recommend using the EasyLifter for fillable access covers as of a weight of 50 kg (including filling)



watch installation video

Floor access cover system PRO+ fire protection

Galvanized steel / Stainless steel **EI 120**

ProfessionalLine+

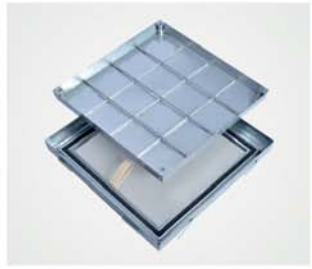


Fire resistant EI120



Product description:

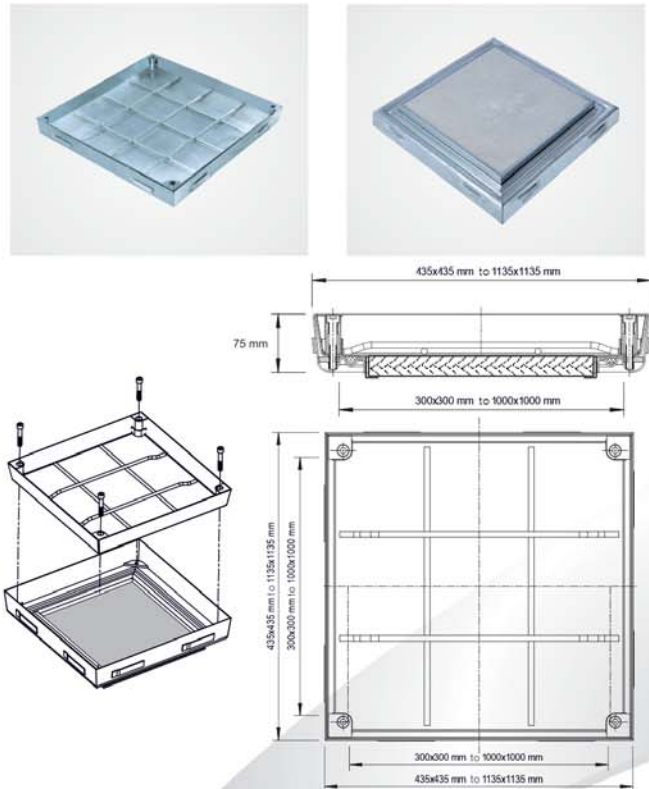
The floor access cover system PRO+ fire protection is made of 2 mm galvanized steel or stainless steel. The tray depth is 50 mm and the structural height amounts to 75 mm only. The frame is equipped with a circumferential, frost- and weather-resistant special sealing joint, which is largely odor- and water-tight. The frame is set in concrete on grade. Subsequently, the tray can be filled and inserted into the frame. The cover is fixed on the frame on the 4 corner points. The cover can be lifted out on these points with the lifting key. The tray can be filled with paving, tiles, concrete, artificial resin, granite, terrazzo tiles, wood and hard floor covering or other materials.



The "fire protection" version is equipped with a 25 mm thick F90 fire protection plate. This plate is installed in a circumferential, angular Z-frame and can be simply inserted into the installation frame after assembly.

Test certificate: Our test certificate certifies that our PRO+ fire protection manhole cover is able to resist a fire for 120 minutes and thus provides a significant contribution to the safety in fire protection.

Item no.	Overall frame size [ca. mm]	Clear opening [ca. mm]	Empty weight [ca. kg]
Galvanized steel			
PRO+BS-300300V75	435 x 435	300 x 300	10 kg
PRO+BS-400400V75	535 x 535	400 x 400	13 kg
PRO+BS-500500V75	635 x 635	500 x 500	17 kg
PRO+BS-600600V75	735 x 735	600 x 600	21 kg
PRO+BS-700700V75	835 x 835	700 x 700	26 kg
PRO+BS-800800V75	935 x 935	800 x 800	30 kg
PRO+BS-10001000V75	1135 x 1135	1000 x 1000	42 kg
Stainless steel			
PRO+BS-300300E75	435 x 435	300 x 300	9 kg
PRO+BS-400400E75	535 x 535	400 x 400	11 kg
PRO+BS-500500E75	635 x 635	500 x 500	15 kg
PRO+BS-600600E75	735 x 735	600 x 600	18 kg
PRO+BS-700700E75	835 x 835	700 x 700	24 kg
PRO+BS-800800E75	935 x 935	800 x 800	29 kg
PRO+BS-10001000E75	1135 x 1135	1000 x 1000	35 kg



Special benefits of our system

- With 25 mm thick fire protection plate in the manhole passageway
- With frost- and weather-resistant special sealing joint
- With fixing anchors for safe support
- The tray depth amounts to 50 mm
- With additional reinforcement cross-braces
- Can be easily opened due to the conic construction method

Load: Up to 125 kN testing force according to EN 124 (class B125).

See table on page 41

Material: Frame and tray made of 2 mm galvanized steel or stainless steel

Areas of use: For on grade manholes in indoor or outdoor areas, for which fire protection is needed.

Opening: Lifting keys and installation instructions are included with every FF floor access cover.

Installation:

The installation shall be implemented in a professional manner in accordance with our installation instructions. With types with special sealing joint, a tight connection to the frame profile is to be ensured.



watch application video



EasyLifter

We recommend using the EasyLifter for fillable access covers as of a weight of 50 kg (including filling)



watch installation video

Fire protection

PRO+BS EI120



Floor access cover system PRO+ fire protection

ProfessionalLine+

Aluminium EI 120

Fire protection

Product description:

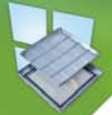
The floor access cover system PRO+ is made of 2.5 mm aluminium. The tray depth is 65 mm and the structural height amounts to 75 mm only. The frame is equipped with a circumferential, frost- and weather-resistant special sealing joint, which is largely odor- and water-tight. The frame is set in concrete on grade. Subsequently, the tray can be filled and inserted into the frame. The cover is fixed on the frame on the 4 corner points. The cover can be lifted out on these points with the lifting key. The tray can be filled with paving, tiles, concrete, artificial resin, granite, terrazzo tiles, wood and hard floor covering or other materials.



The "fire protection" version is equipped with a 25 mm thick F90 fire protection plate. This plate is installed in a circumferential, angular Z-frame and can be simply inserted into the installation frame after assembly.

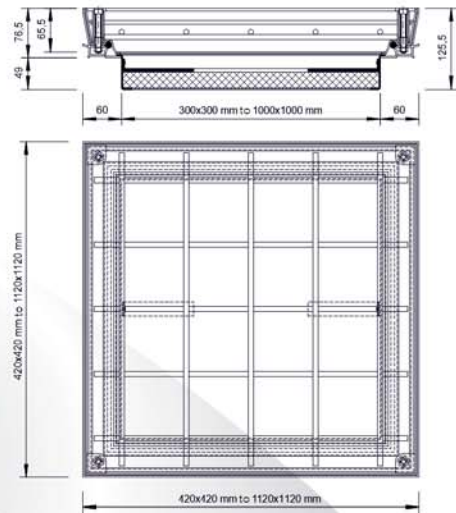


PRO+
BS
EI120



Item no.	Overall frame size [ca. mm]	Clear opening [ca. mm]	Empty weight [ca. kg]
PRO+BS-300300AL75	420 x 420	300 x 300	5 kg
PRO+BS-400400AL75	520 x 520	400 x 400	6 kg
PRO+BS-500500AL75	620 x 620	500 x 500	7 kg
PRO+BS-600600AL75	720 x 720	600 x 600	8 kg
PRO+BS-700700AL75	820 x 820	700 x 700	9 kg
PRO+BS-800800AL75	920 x 920	800 x 800	11 kg
PRO+BS-10001000AL75	1120 x 1120	1000 x 1000	15 kg

Height 75 mm



Load: Up to 125 kN testing force according to EN 124 (class B125).

See table on page 41

Material: Frame and tray made of 2.5 mm aluminium

Areas of use: For on grade manholes in indoor or outdoor areas, for which fire protection is needed.

Opening: Lifting keys and installation instructions are included with every FF floor access cover.

Installation:

The installation shall be implemented in a professional manner in accordance with our installation instructions. With types with special sealing joint, a tight connection to the frame profile is to be ensured.

Special benefits of our system

- With 25 mm thick fire protection plate in the manhole passageway
- With frost- and weather-resistant special sealing joint
- Almost invisible in the installed state
- The tray depth amounts to 65 mm
- With additional reinforcement cross-braces
- Can be easily opened due to the conic construction method



watch application video



EasyLifter

We recommend using the EasyLifter for fillable access covers as of a weight of 50 kg (including filling)



watch installation video

Floor access cover system PRO+Maxi fire protection galvanized steel / Stainless steel EI 120

ProfessionalLine+

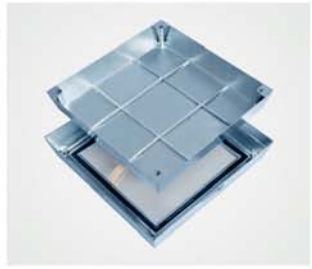


Fire resistant EI120



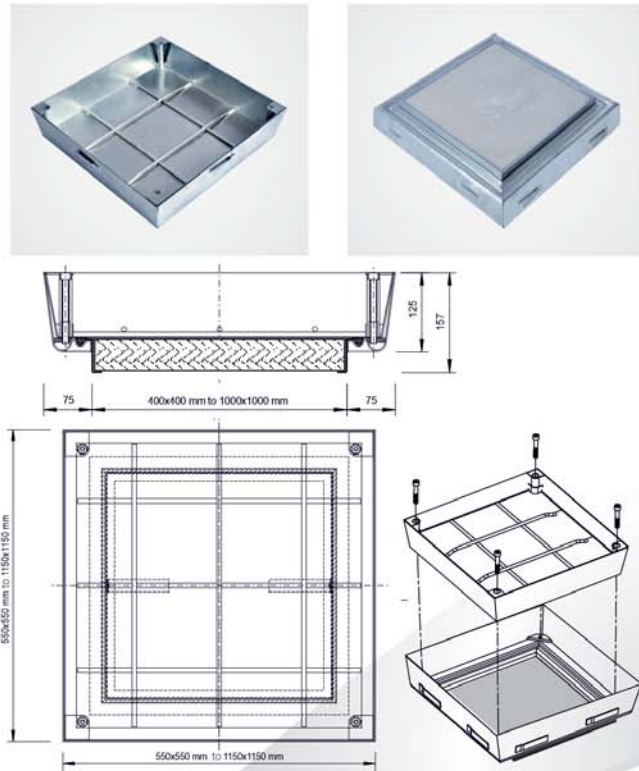
Product description:

The floor access cover system PRO+Maxi fire protection is made of 2 mm galvanized steel or stainless steel. The tray depth is 100 mm and the structural height amounts to 125 mm. The frame is equipped with a circumferential, frost- and weather-resistant special sealing joint, which is largely odor- and water-tight. The frame is set in concrete on grade. Subsequently, the tray can be filled and inserted into the frame. The cover is fixed on the frame on the 4 corner points. The cover can be lifted out on these points with the lifting key. The tray can be filled with paving, tiles, concrete, artificial resin, granite, terrazzo tiles, wood and hard floor covering or other materials.



The "fire protection" version is equipped with a 25 mm thick F90 fire protection plate. This plate is installed in a circumferential, angular Z-frame and can be simply inserted into the installation frame after assembly.

Test certificate: Our test certificate certifies that our PRO+ fire protection manhole cover is able to resist a fire for 90 and 120 minutes and thus provides a significant contribution to the safety in fire protection.



Item no.	Overall frame size [ca. mm]	Clear opening [ca. mm]	Empty weight [ca. kg]
Galvanized steel			
PRO+MBS-400400V125	550 x 550	400 x 400	18 kg
PRO+MBS-500500V125	650 x 650	500 x 500	21 kg
PRO+MBS-600600V125	750 x 750	600 x 600	24 kg
PRO+MBS-700700V125	850 x 850	700 x 700	29 kg
PRO+MBS-800800V125	950 x 950	800 x 800	35 kg
PRO+MBS-10001000V125	1150 x 1150	1000 x 1000	45 kg
Stainless steel			
PRO+MBS-400400E125	550 x 550	400 x 400	15 kg
PRO+MBS-500500E125	650 x 650	500 x 500	16 kg
PRO+MBS-600600E125	750 x 750	600 x 600	23 kg
PRO+MBS-700700E125	850 x 850	700 x 700	27 kg
PRO+MBS-800800E125	950 x 950	800 x 800	32 kg
PRO+MBS-10001000E125	1150 x 1150	1000 x 1000	41 kg

Special benefits of our system

- With 25 mm thick fire protection plate in the manhole passageway
- With frost- and weather-resistant special sealing joint
- With fixing anchors for safe support
- The tray depth amounts to 100 mm
- With additional reinforcement cross-braces
- Can be easily opened due to the conic construction method

Load: Up to 400 kN testing force according to EN 124 (class D400).

See table on page 41

Material: Frame and tray made of 2 mm galvanized steel or stainless steel

Areas of use: For on grade manholes in indoor or outdoor areas, for which fire protection is needed.

Opening: A lifting key and installation instructions are included with every FF floor access cover.

Installation:

The installation shall be implemented in a professional manner in accordance with our installation instructions. With types with special sealing joint, a tight connection to the frame profile is to be ensured.



watch application video



EasyLifter

We recommend using the EasyLifter for fillable access covers as of a weight of 50 kg (including filling)



watch installation video

Fire protection

PRO+MBS EI 120



Floor access cover system PRO+Thermo

Galvanized steel / Stainless steel

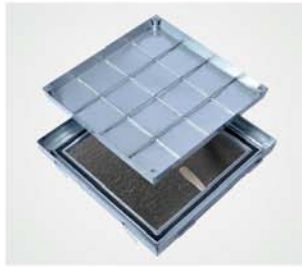
Professional Line+

Thermo

Product description:

The floor access cover system PRO+Thermo is made of 2 mm galvanized steel or stainless steel. The tray depth is 50 mm and the structural height amounts to 75 mm only. The frame is equipped with a circumferential, frost- and weather-resistant special sealing joint, which is largely odor- and water-tight. The frame is set in concrete on grade. Subsequently, the tray can be filled and inserted into the frame. The cover is fixed on the frame on the 4 corner points. The cover can be lifted out on these points with the lifting key. The tray can be filled with paving, tiles, concrete, artificial resin, granite, terrazzo tiles, wood and hard floor covering or other materials.

The "Thermo" version is equipped with an 80 mm thick heat insulation plate made of polyurethane hard foam with two-sided aluminium coating. The latter is installed in a circumferential, angular Z-frame and can be easily inserted into the installation frame after assembly. The PRO+Thermo system is particularly suitable for manholes with specific temperature requirements.



PRO+TH



Item no.	Overall frame size [ca. mm]	Clear opening [ca. mm]	Empty weight [ca. kg]
Galvanized steel			
PRO+TH-300300V75	435 x 435	300 x 300	10 kg
PRO+TH-400400V75	535 x 535	400 x 400	13 kg
PRO+TH-500500V75	635 x 635	500 x 500	17 kg
PRO+TH-600600V75	735 x 735	600 x 600	21 kg
PRO+TH-700700V75	835 x 835	700 x 700	26 kg
PRO+TH-800800V75	935 x 935	800 x 800	30 kg
PRO+TH-10001000V75	1135 x 1135	1000 x 1000	42 kg
Stainless steel			
PRO+TH-300300E75	435 x 435	300 x 300	9 kg
PRO+TH-400400E75	535 x 535	400 x 400	11 kg
PRO+TH-500500E75	635 x 635	500 x 500	15 kg
PRO+TH-600600E75	735 x 735	600 x 600	18 kg
PRO+TH-700700E75	835 x 835	700 x 700	24 kg
PRO+TH-800800E75	935 x 935	800 x 800	29 kg
PRO+TH-10001000E75	1135 x 1135	1000 x 1000	35 kg

Load: Up to 125 kN testing force according to EN 124 (class B125)

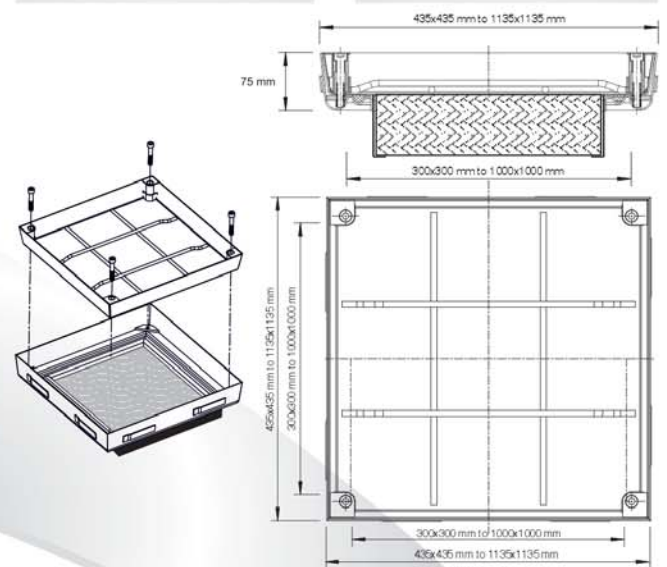
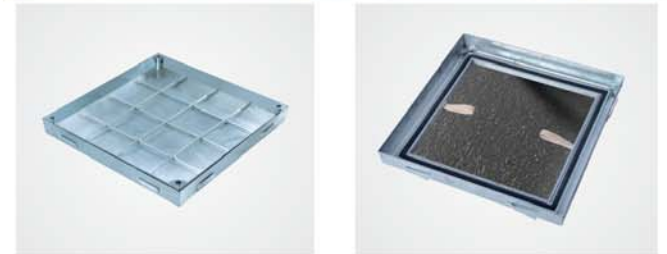
Material: Frame and tray made of 2 mm galvanized steel or stainless steel

Areas of use: For on grade manholes in indoor or outdoor areas to which specific temperature requirements apply, particularly in the interior of the manhole.

Opening: A lifting key and installation instructions are included with every FF floor access cover.

Installation:

The installation shall be implemented in a professional manner in accordance with our installation instructions. With types with special sealing joint, a tight connection to the frame profile is to be ensured.



Special benefits of our system

- With an 80 mm thick polyurethane hard foam plate in the manhole passageway
- With frost- and weather-resistant special sealing joint
- With fixing anchors for safe support
- Tray depth amounts to 50 mm
- With additional reinforcement cross-braces
- Can be easily opened due to the conic construction method



watch application video



EasyLifter

We recommend using the EasyLifter for fillable access covers as of a weight of 50 kg (including filling)



watch installation video

Floor access cover system PRO+Thermo

Aluminium

ProfessionalLine+



Product description:

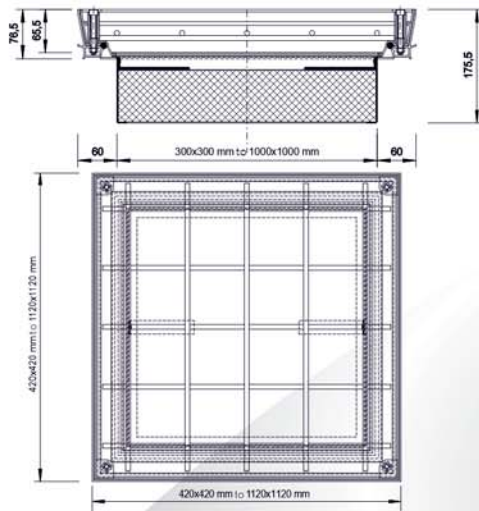
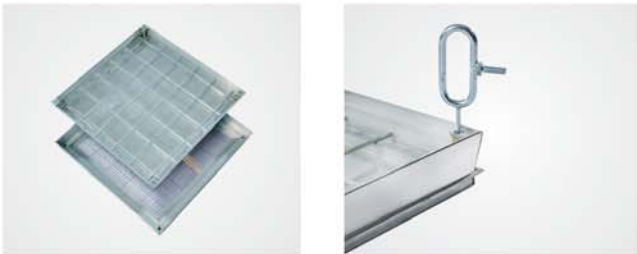
The floor access cover system PRO+Thermo is made of 2.5 mm aluminium. The tray depth is 65 mm and the structural height amounts to 75 mm only. The frame is equipped with a circumferential, frost- and weather-resistant special sealing joint, which is largely odor- and water-tight. The frame is set in concrete on grade. Subsequently, the tray can be filled and inserted into the frame. The cover is fixed on the frame on the 4 corner points. The cover can be lifted out on these points with the lifting key. The tray can be filled with paving, tiles, concrete, artificial resin, granite, terrazzo tiles, wood and hard floor covering or other materials.



The "Thermo" version is equipped with an 80 mm thick heat insulation plate made of polyurethane hard foam with two-sided aluminium coating. The latter is installed in a circumferential, angular Z-frame and can be easily inserted into the installation frame after assembly. The PRO+Thermo system is particularly suitable for manholes with specific temperature requirements.

Thermo

PRO+TH



Item no.	Overall frame size [ca. mm]	Clear opening [ca. mm]	Empty weight [ca. kg]
PRO+TH-300300AL75	420 x 420	300 x 300	5 kg
PRO+TH-400400AL75	520 x 520	400 x 400	6 kg
PRO+TH-500500AL75	620 x 620	500 x 500	7 kg
PRO+TH-600600AL75	720 x 720	600 x 600	8 kg
PRO+TH-700700AL75	820 x 820	700 x 700	9 kg
PRO+TH-800800AL75	920 x 920	800 x 800	11 kg
PRO+TH-10001000AL75	1120 x 1120	1000 x 1000	15 kg

Load: Up to 125 kN testing force according to EN 124 (class B125).

See table on page 41

Material:

Frame and tray made of 2.5 mm aluminium

Areas of use:

For on grade manholes in indoor or outdoor areas to which specific temperature requirements apply, particularly in the interior of the manhole.

Opening:

A lifting key and installation instructions are included with every FF floor access cover.

Installation:

The installation shall be implemented in a professional manner in accordance with our installation instructions. With types with special sealing joint, a tight connection to the frame profile is to be ensured.

Special benefits of our system

- With an 80 mm thick polyurethane hard foam plate in the manhole passageway
- With frost- and weather-resistant special sealing joint
- With fixing anchors for safe support.
- The tray depth amounts to 65 mm
- With additional reinforcement cross-braces
- Can be easily opened due to the conic construction method



watch application video



EasyLifter

We recommend using the EasyLifter for fillable access covers as of a weight of 50 kg (including filling)



watch installation video

Floor access cover system PRO+Maxi

Thermo Galvanized steel / Stainless steel

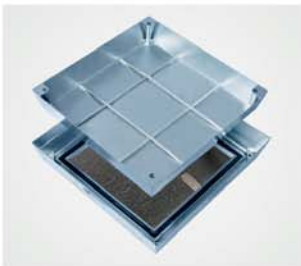
Professional Line+

Thermo

Product description:

The floor access cover system PRO+Maxi Thermo is made of 2 mm galvanized steel or stainless steel. The tray depth is 100 mm and the structural height amounts to 125 mm. The frame is equipped with a circumferential, frost- and weather-resistant special sealing joint, which is largely odor- and water-tight. The frame is set in concrete on grade. Subsequently, the tray can be filled and inserted into the frame. The cover is fixed on the frame on the 4 corner points. The cover can be lifted out on these points with the lifting key. The tray can be filled with paving, tiles, concrete, artificial resin, granite, terrazzo tiles, wood and hard floor covering or other materials.

The "Thermo" version is equipped with an 80 mm thick heat insulation plate made of polyurethane hard foam with two-sided aluminium coating. The latter is installed in a circumferential, angular Z-frame and can be easily inserted into the installation frame after assembly. The PRO+Thermo system is particularly suitable for manholes with specific temperature requirements.



PRO+MTH



Item no.	Overall frame size [ca. mm]	Clear opening [ca. mm]	Empty weight [ca. kg]
Galvanized steel			
PRO+MTH-400400V125	550 x 550	400 x 400	18 kg
PRO+MTH-500500V125	650 x 650	500 x 500	21 kg
PRO+MTH-600600V125	750 x 750	600 x 600	24 kg
PRO+MTH-700700V125	850 x 850	700 x 700	29 kg
PRO+MTH-800800V125	950 x 950	800 x 800	35 kg
PRO+MTH-10001000V125	1150x 1150	1000 x 1000	45 kg
Stainless steel			
PRO+MTH-400400E125	550 x 550	400 x 400	15 kg
PRO+MTH-500500E125	650 x 650	500 x 500	16 kg
PRO+MTH-600600E125	750 x 750	600 x 600	23 kg
PRO+MTH-700700E125	850 x 850	700 x 700	27 kg
PRO+MTH-800800E125	950 x 950	800 x 800	32 kg
PRO+MTH-10001000E125	1150 x 1150	1000 x 1000	41 kg

Load: Up to 400 kN testing force according to EN 124 (class D400).

See table on page 41

Material: Frame and tray made of 2 mm galvanized steel or stainless steel

Areas of use:

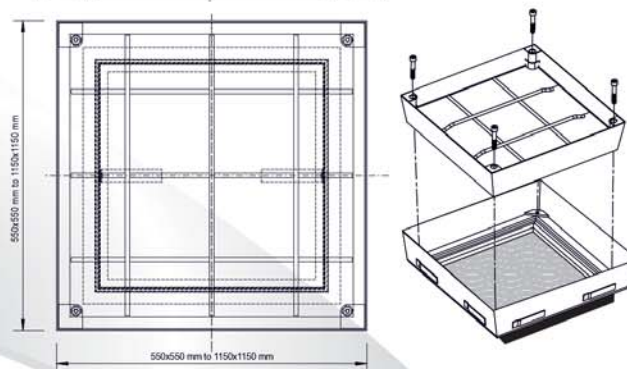
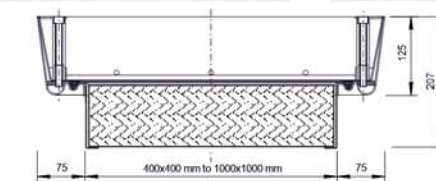
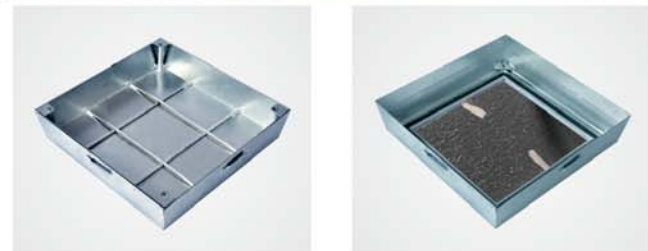
For on grade manholes in indoor or outdoor areas to which specific temperature requirements apply, particularly in the interior of the manhole.

Opening:

A lifting key and installation instructions are included with every FF floor access cover.

Installation:

The installation shall be implemented in a professional manner in accordance with our installation instructions. With types with special sealing joint, a tight connection to the frame profile is to be ensured.



Special benefits of our system

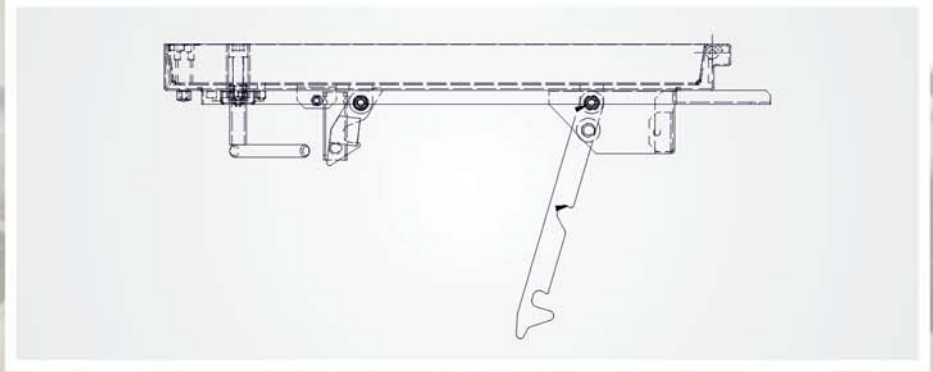
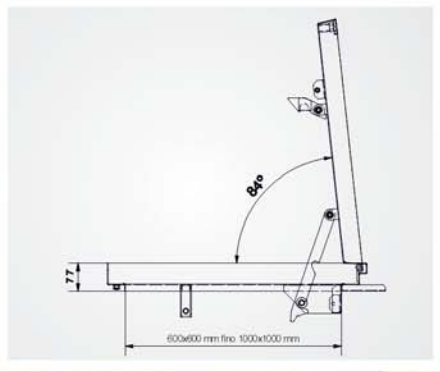
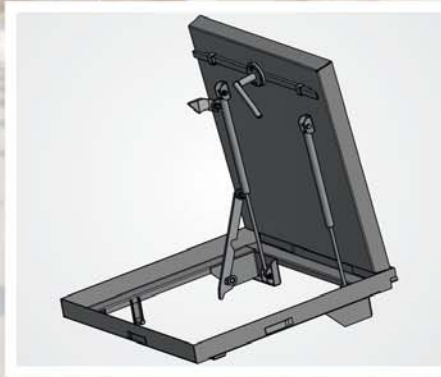
- With an 80 mm thick polyurethane hard foam plate in the manhole passageway
- With frost- and weather-resistant special sealing joint
- With fixing anchors for safe support
- Tray depth amounts to 100 mm
- With additional reinforcement cross-braces
- Can be easily opened due to the conic construction method



EasyLifter

We recommend using the EasyLifter for fillable access covers as of a weight of 50 kg (including filling)





MasterLine

produciamo soluzioni

FF Systems Italia

Sistemi d'ispezione



Floor access cover system MA-GB

Stainless steel – with assisted opening

MasterLine



Product description:

The floor access cover system MA-GB is made of 2.5 mm stainless steel. The tray depth is 50 mm and the structural height amounts to 75 mm only. The frame is equipped with a circumferential, frost- and weather-resistant special sealing joint, which is largely odor- and water-tight. The frame is set in concrete on grade. Subsequently, the tray can be filled and inserted into the frame. The cover is fixed on the frame on 2 corner points. The opening process is supported by the high-quality gas pressure springs in a way that the access cover can be opened and closed by one single person. Includes safety stay. The tray can be filled with paving, tiles, concrete, artificial resin, granite, terrazzo tiles, wood and hard floor covering or other materials.



MA-GB



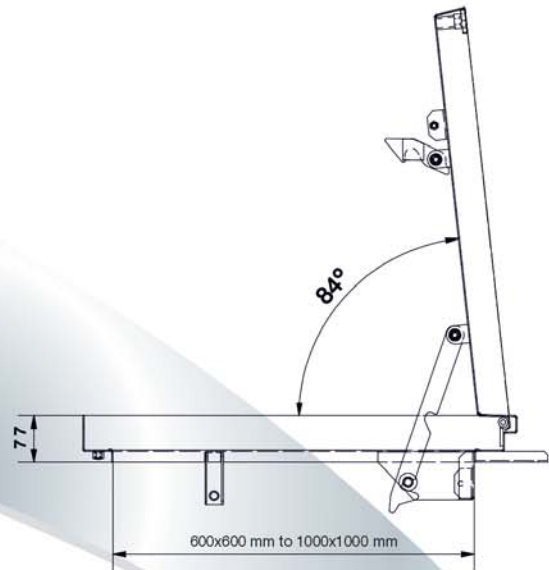
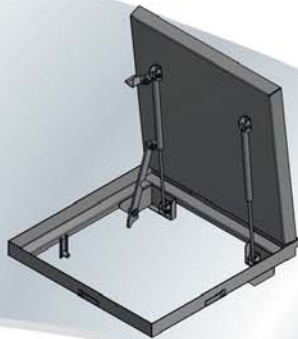
Load: Up to 125 kN testing force according to EN 124 (class B125).

See table on page 41

Material: Frame and tray made of 2.5 mm stainless steel

Areas of use: For on grade manholes in indoor or outdoor areas, for which highest quality is required.

Item no.	Overall frame size [ca. mm]	Clear opening [ca. mm]	Empty weight [ca. kg]
MA-GB-600600E75	701 x 724	600 x 600	23 kg
MA-GB-800800E75	901 x 924	800 x 800	32 kg
MA-GB-10001000E75	1101 x 1124	1000 x 1000	41 kg



Customized solutions: Customized sizes can be produced in every dimension upon enquiry.

Application options: For manholes which are to be opened often without particular exertion. In particular, for inspection and revision manholes, e.g. for swimming pool manholes, as the regular maintenance and the opening and closing of the cover can be effected without significant exertion.

Opening: A lifting key and installation instructions are included with every FF floor access cover.

Installation:

The installation shall be implemented in a professional manner in accordance with our installation instructions. With types with special sealing joint, a tight connection to the frame profile is to be ensured.

Special benefits of our system

- With frost- and weather-resistant special sealing joints
- With fixing anchors for safe support
- Once installed it is almost invisible
- Tray depth amounts to 50 mm
- With additional reinforcement cross-braces
- With gas pressure springs as opening assistance



watch installation video

Opening and closing



watch installation video

Drainage



watch installation video

Automatic

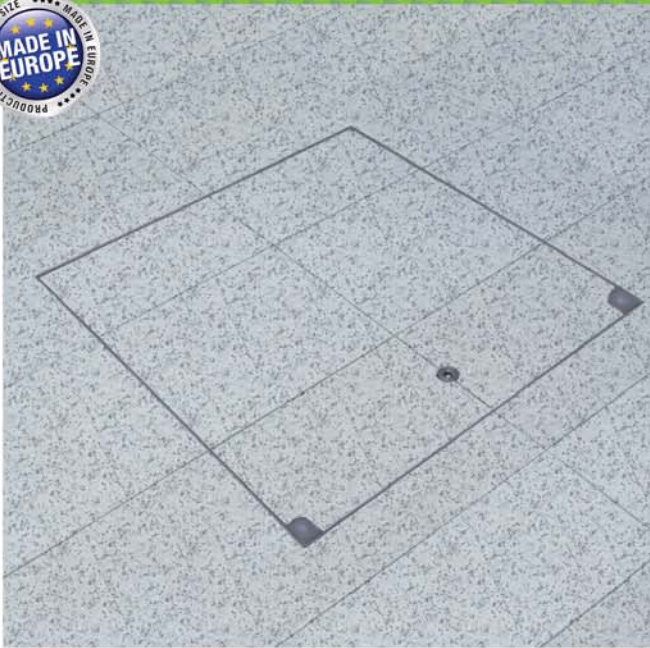


watch installation video

Floor access cover system MA-GBZ

Stainless steel – with assisted opening and central closure

MasterLine



Product description:

The floor access cover system MA-GBZ is made of 2.5 mm stainless steel. The tray depth is 50 mm and the structural height amounts to 75 mm only. The frame is equipped with a circumferential, frost- and weather-resistant special sealing joint, which is largely odor- and water-tight. The frame is set in concrete on grade. Subsequently, the tray can be filled and inserted into the frame. The opening process is supported by the high-quality gas pressure springs in a way that the manhole cover can be opened and closed by one single person. The access cover can be opened from the outside and the inside. The tray can be filled with paving, tiles, concrete, artificial resin, granite, terrazzo tiles, wood and hard floor covering or other materials.

Load: Up to 125 kN testing force according to EN 124 (class B125)

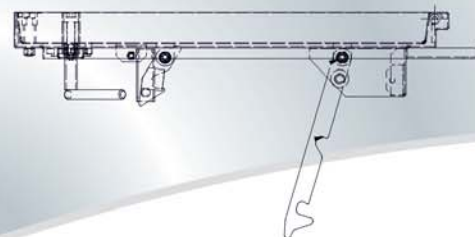
Material: Frame and tray made of 2.5 mm stainless steel

Areas of use: For on grade manholes in indoor or outdoor areas, for which highest quality is required.

MA-GBZ



Item no.	Overall frame size [ca. mm]	Clear opening [ca. mm]	Empty weight [ca. kg]
MA-GBZ-600600E75	701 x 724	600 x 600	24 kg
MA-GBZ-800800E75	901 x 924	800 x 800	33 kg
MA-GBZ-10001000E75	1101 x 1124	1000 x 1000	42 kg



Special benefits of our system

- With frost- and weather-resistant special sealing joint
- With fixing anchors for safe support
- Once installed it is almost invisible
- Tray depth amounts to 50 mm
- With additional reinforcement cross-braces
- With gas pressure springs as opening assistance
- Can be opened from the outside and the inside

Customized solutions:

Customized sizes can be produced in every dimension upon enquiry.

Application options: For manholes which are to be opened quickly and without particular exertion from the outside or the inside. Particularly suitable for underground passages, metro passages, supply shafts of companies or telephone shafts.

Opening: A lifting key and installation instructions are included with every FF floor access cover.

Installation:

The installation shall be implemented in a professional manner in accordance with our installation instructions. With types with special sealing joint, a tight connection to the frame profile is to be ensured.

Floor access cover system MA-BS

Stainless steel – with assisted opening – fireproof EI 90

MasterLine



Product description:

the floor access cover system MA-BS is made of 2.5 mm stainless steel. The tray depth is 50 mm and the installation height is only 75 mm. The frame is equipped with a circumferential, frost- and water-resistant special sealing joint, which is largely odor- and water-tight- the frame is set in concrete on grade.

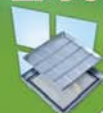
Subsequently, the tray can be filled and inserted into the frame. The cover is fixed on the frame on 2 corner points.

The opening is helped by the high-quality gas pressure springs in a way that the access cover can be opened and closed by one single person. Safety is guaranteed by a fall protection device.

The floor access cover can be opened from outside.

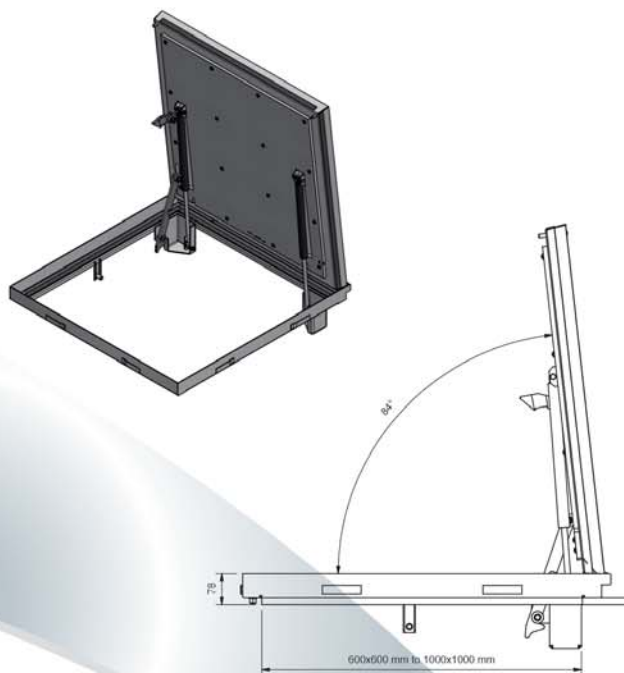
The tray can be filled with paving, tiles, concrete, artificial resin, granite, terrazzo tiles, wood and hard floor covering or other materials.

MA-BS
EI 90



Fireproofing:

The MA-BSZ fireproof floor access cover has a fireproofing plate, located at the rear of the tank, that provides fire protection through the access cover, for 90 minutes



Load: Up to 125 kN testing force according to EN 124 (class B125). See table on page 41.

Material:

Frame and tray made of 2.5 mm stainless steel

Areas of use:

For on grade manholes in indoor or outdoor areas, for which highest quality is required.

Item no.	Overall frame size [ca. mm]	Clear opening [ca. mm]	Empty weight [ca. kg]
MA-BS-600600E75	701 x 724	600 x 600	28 kg
MA-BS-800800E75	901 x 924	800 x 800	40 kg
MA-BS-10001000E75	1101 x 1124	1000 x 1000	54 kg

Customized solutions:

Customized sizes can be produced in every dimension upon enquiry.

Application options: For manholes that are opened frequently, without exertion. Especially for inspection, such as regular maintenance of swimming pools. The opening and closing of the cover are done without particular effort.

Opening: A lifting key and installation instructions are included with every FF floor access cover.

Installation:

The installation shall be implemented in a professional manner in accordance with our installation instructions. With types with special sealing joint, a tight connection to the frame profile is to be ensured.

Special benefits of our system

- With frost- and weather-resistant special sealing joints
- With fixing anchors for safe support
- Once installed it is almost invisible
- The tray depth is 50 mm
- With additional reinforcing crossbeams
- With gas pressure springs as opening assistance



watch
installation video

floor access cover system MA-BSZ

MasterLine

Stainless steel – with assisted opening and fireproof central lock **EI 90**



Fire resistant EI90



Product description:

the floor access cover system MA-BSZ is made of 2.5 mm stainless steel. The tray depth is 50 mm and the installation height is only 75 mm. The frame is equipped with a circumferential, frost- and water-resistant special sealing joint, which is largely odor- and water-tight- the frame is set in concrete on grade.

Subsequently, the tray can be filled and inserted into the frame. The cover is fixed on the frame on 2 corner points.

The opening is helped by the high-quality gas pressure springs in a way that the access cover can be opened and closed by one single person. Safety is guaranteed by a fall protection device.

The floor access cover can be opened from outside.

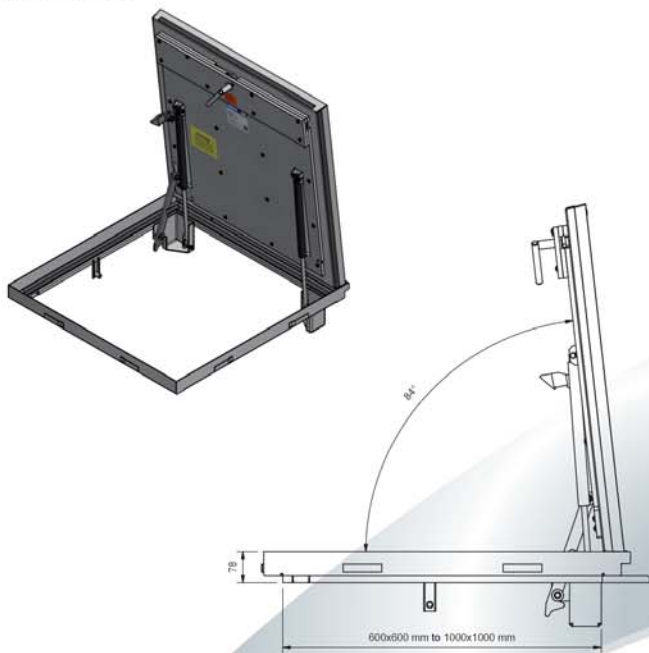
The tray can be filled with paving, tiles, concrete, artificial resin, granite, terrazzo tiles, wood and hard floor covering or other materials.

**MA-BSZ
EI 90**



Fireproofing:

The MA-BSZ fireproof floor access cover has a fireproofing plate, located at the rear of the tank, that provides fire protection through the access cover, for 90 minutes.



Load: Up to 125 kN testing force according to EN 124 (class B125). See table on page 41.

Material:

frame and tray made of 2.5 mm stainless steel

Areas of use:

For on grade manholes in indoor or outdoor areas, for which highest quality is required.

Item no.	Overall frame size [ca. mm]	Misura luca opening [ca. mm]	Empty weight [ca. kg]
MA-BSZ-600600E75	701 x 724	600 x 600	29 kg
MA-BSZ-800800E75	901 x 924	800 x 800	41 kg
MA-BSZ-10001000E75	1101 x 1124	1000 x 1000	55 kg

Customized solutions:

Customized sizes can be produced in every dimension upon enquiry.

Application options: For manholes that are opened frequently, without exertion. Especially for inspection, such as regular maintenance of swimming pools.

The opening and closing of the cover are done without particular effort.

Opening: A lifting key and installation instructions are included with every FF floor access cover.

Installation:

The installation shall be implemented in a professional manner in accordance with our installation instructions. With types with special sealing joint, a tight connection to the frame profile is to be ensured.

Special benefits of our system

- With frost- and weather-resistant special sealing joint
- With fixing anchors for safe support
- Once installed it is almost invisible
- The tray depth is 50 mm
- With additional reinforcing crossbeams
- With gas pressure springs as opening assistance
- Can be opened from the outside and the inside

produciamo soluzioni
FF Systems Italia
Sistemi d'ispezione



Floor access cover system MA-WB

Stainless steel - power-assisted opening, walkable, waterproof

MasterLine

Product description:

The floor access cover System MA-WB is made with a 5 mm thick stainless steel frame. The frame is equipped with a particular gasket resistant to frost and atmospheric agents, to protect against infiltrations and the escape of odors. The frame is fixed by casting at floor level. The stainless steel tank is fixed by means of a screw closure with a brass protection cap. The opening is supported by two quality gas pistons that allow the opening and closing of the cover by one person. Safety is guaranteed by an anti-fall protection device. The installation height is 220 mm.



Load:

Version 1 strong Class B125 according to the EN 124 standard.

Version 2 ultra strong Class D400 according to the EN 124 standard.

See table on page 41



Item no.	Overall frame size [ca. mm]	Clear opening [ca. mm]	Empty weight [ca. kg]
MA-WB-800800E2-D400	950 x 950	800 x 800	150 kg
MA-WB-10001000E2-D400	1150 x 1150	1000 x 1000	200 kg

NEW: Now also available in galvanized steel
NEW: Now also available round

Material:

5 mm stainless steel frame and 6 mm stainless steel tank

Areas of use: For both indoor and outdoor floor ducts, where the highest quality is particularly appreciated. For covers that are opened frequently and without any particular effort. Especially for inspections such as regular maintenance. The opening and closing of the compartment takes place without particular effort.

Gasket:

With interchangeable gasket (which acts as a barrier against insects, against bad weather), mounted on the underside of the lid.

Closure:

The lid has a screw closure with a brass protective cap.

Customized solutions: On request we can produce special measures in all desired dimensions.

Opening: Each FF access cover is equipped with tightening / lifting keys and an assembly manual.

Installation:

Installation must be done professionally in accordance with our assembly instructions.

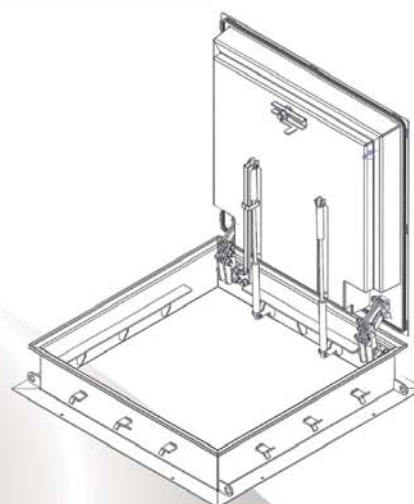
Options:

Brass insert

for inserting a cylinder

Cylinder lock

With safety cylinder (cylinder length 41.5mm) For insertion into the brass insert according to LKA guidelines



Note:

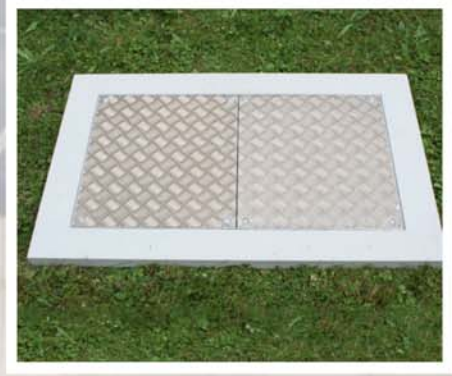
Drive-over access covers are only suitable for installation in restricted traffic areas at reduced speeds

Special benefits of our system

- With gasket resistant to frost and atmospheric agents
- With fixing brackets for a secure hold
- With additional reinforcement crossbars
- With pistons for power assisted opening
- With lifting loops for easy transport
- Absolutely rustproof

MA-WB





Ribbed *Line*

produciamo soluzioni

FF Systems Italia

Sistemi d'ispezione



Floor access cover system MA-WT

Stainless steel - power-assisted opening, walkable, waterproof

MasterLine

Product description:

The floor access cover System MA-WT is made with a 5 mm thick stainless steel frame. The frame is equipped with a particular gasket resistant to frost and atmospheric agents, to protect against infiltrations and the escape of odors. The frame is fixed by casting at floor level. The fixing of the stainless steel knurled plate is done by means of a screw closure with a brass protection cap. The opening is supported by two quality gas pistons that allow the opening and closing of the cover by one person. Safety is guaranteed by an anti-fall protection device. The installation height is 220 mm. Absolutely rustproof.



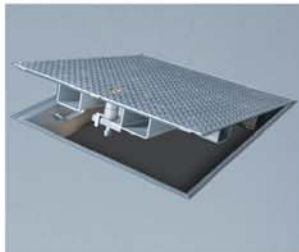
MA-WT



Load:

Version 1 strong Class B125 according to the EN 124 standard.

Version 2 ultra strong Class D400 according to the EN 124 standard. See table on page 41



Item no.	Overall frame size [ca. mm]	Clear opening [ca. mm]	Empty weight [ca. kg]
MA-WT-600600E2-D400	750 x 750	600 x 600	90 kg
MA-WT-800800E2-D400	950 x 950	800 x 800	150 kg
MA-WT-10001000E2-D400	1150 x 1150	1000 x 1000	200 kg
MA-WT-12001200E2-D400	1350 x 1350	1200 x 1200	290 kg

NEW: Now also available in galvanized steel
NEW: Now also available round

Material:

5 mm stainless steel frame and 6 / 7.5 mm stainless steel knurled plate

Areas of use: For both indoor and outdoor floor ducts, where the highest quality is particularly appreciated. For covers that are opened frequently and without any particular effort. Especially for inspections such as regular maintenance. The opening and closing of the compartment takes place without particular effort.

Gasket:

With interchangeable gasket which acts as a barrier against insects, against bad weather, mounted on the underside of the lid.

Closure:

The lid has a screw closure with a brass protective cap.

Customized solutions: On request we can produce special measures in all desired dimensions.

Opening: Each FF access cover is equipped with tightening / lifting keys and an assembly manual.

Installation:

Installation must be done professionally in accordance with our assembly instructions.

Options:

Brass insert

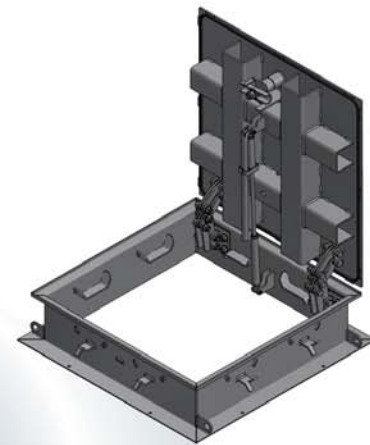
for inserting a cylinder

Cylinder lock

With safety cylinder (cylinder length 41.5mm) For insertion into the brass insert according to LKA guidelines

Thermic insulation

30 mm of insulation with polyurethane foam in the lid, protected by a 1 mm sheet



Note:

Drive-over access covers are only suitable for installation in restricted traffic areas at reduced speeds

Special benefits of our system

- With knurled stainless steel sheet
- With gasket resistant to frost and atmospheric agents
- With fixing brackets for a secure hold
- With additional reinforcement crossbars
- With pistons for power assisted opening
- With lifting loops for easy transport
- Absolutely rustproof



watch installation video

Floor access cover system MA-GTR

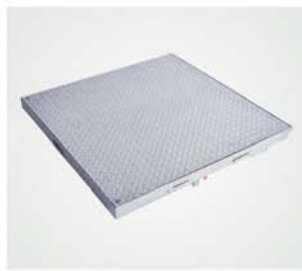
Stainless steel – with opening assistance

RibbedLine



Product description:

The floor access cover system MA-GTR is manufactured with a frame made of 2 mm stainless steel and equipped with a circumferential, frost- and weather-resistant special sealing joint, which is largely odor- and water-tight. The frame is set in concrete on grade. The stainless steel tread plate is fixed on 2 corner points. The opening process is supported by the high-quality gas pressure springs in a way that the manhole cover can be opened and closed by one single person. A safety stay prevents uncontrolled closing. The installation height amounts to 75 mm only. Completely rust-free.



Load: 15 kN testing force according to EN 124 (class A15)

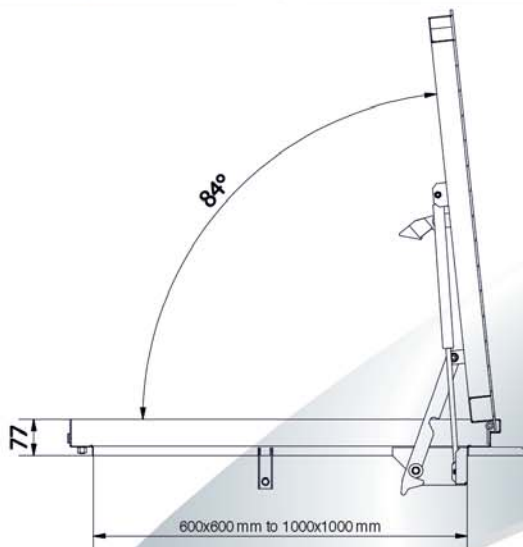
Material:

Frame made of 2 mm stainless steel and plate made of 3/5 stainless steel tread plate

Areas of use:

For on grade manholes in indoor or outdoor areas, for which highest quality is important.

NEW: Now also available as MA-GRI system with aluminium tread plate!



Item no.	Overall frame size [ca. mm]	Clear opening [ca. mm]	Empty weight [ca. kg]
MA-GTR-600600E75	700 x 721	600 x 600	38 kg
MA-GTR-800800E75	900 x 921	800 x 800	53 kg
MA-GTR-10001000E75	1100 x 1121	1000 x 1000	70 kg



Special benefits of our system

- With stainless steel tread plate
- With frost- and weather-resistant special sealing joint
- With fastening anchors for safe support
- With additional reinforcement cross braces
- With gas pressure springs as opening assistance
- Completely rust-free

Customized solutions:

Customized sizes can be produced in every dimension upon enquiry.

Application options: For manholes which are to be opened often without particular exertion. Particularly suitable for inspection and revision manholes since for regular maintenance the manhole can be opened and closed without significant exertion.

Opening: A lifting key and installation instructions are included with every FF floor access cover.

Installation:

The installation shall be implemented in a professional manner in accordance with our installation instructions. With types with special sealing joint, a tight connection to the frame profile is to be ensured.

MA-GTR



Floor access cover system PRO-RI

Aluminium tread plate

RibbedLine



Product description:

The floor access cover system PRO-RI is made of aluminium. The frame is equipped with a two-fold circumferential, frost- and weather-resistant special sealing joint, which is largely odor- and water-tight. The accessible cover is made of anti-slip aluminium tread plate. The frame is set in concrete on grade and the cover is then inserted. The cover is fixed on the frame by means of a 4-fold screw connection on the corner points. Here, the cover can also be removed by means of the lifting key.



Aluminium tread plate

Load: Up to 15 kN testing force according to EN 124 (class A15)

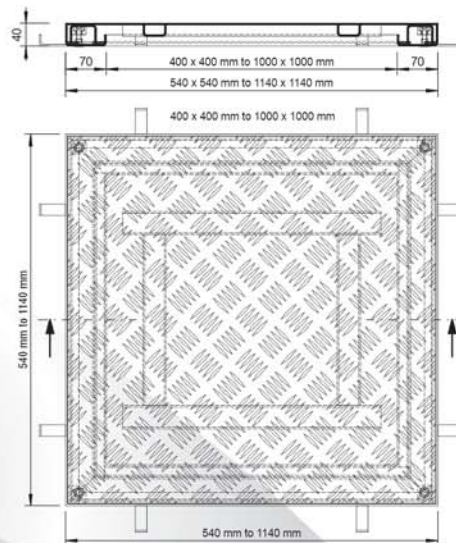
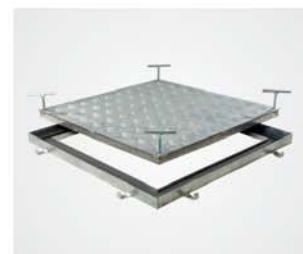
Material: Frame made of 2 mm aluminium angular profile and cover made of 3/5 mm aluminium tread plate

Areas of use: For on grade manholes in indoor or outdoor areas.

NEW: Now also available as multi-component version or as series cover!

Item no.	Overall frame size [ca. mm]	Clear opening [ca. mm]	Empty weight [ca. kg]
PRO-RI-400400AL40	540 x 540	400 x 400	6 kg
PRO-RI-500500AL40	640 x 640	500 x 500	8 kg
PRO-RI-600600AL40	740 x 740	600 x 600	11 kg
PRO-RI-700700AL40	840 x 840	700 x 700	13 kg
PRO-RI-800800AL40	940 x 940	800 x 800	15 kg
PRO-RI-900900AL40	1040 x 1040	900 x 900	18 kg
PRO-RI-10001000AL40	1140 x 1140	1000 x 1000	21 kg

Height 40 mm



NEW: Now also available as PRO-TR in stainless steel tread plate!

Opening:

A lifting key and installation instructions are included with every FF floor access cover.

Installation:

The installation shall be implemented in a professional manner in accordance with our installation instructions. With types with special sealing joint, a tight connection to the frame profile is to be ensured.

Special benefits of our system

- With 2 fixing anchors on each side for setting in concrete
- On grade cover made of tread plate
- The installation frame has a structural height of 40 mm only
- With additional reinforcement cross-braces
- With two-fold circumferential frost- and weather-resistant special sealing joint



watch application video



Comfort key

We recommend our comfort key for easy lifting of the cover

← Application example



watch installation video

Floor access cover system PRO+TR

ProfessionalLine+

Hot-dip galvanized steel / stainless steel



Load up to C250



Hot-dip galvanized steel / stainless steel

Product description:

The floor access cover system is made of hot-dip galvanized steel or stainless steel.

The frame is equipped with a special frost and weatherproof seal to protect against seepage and odor leakage. The cover is walkable and is finished in non-slip hot-dip galvanized steel or stainless steel. The frame is fixed by casting at floor level.



Then the cover can be inserted into the frame.

The cover is fixed by means of four or eight bolts positioned in front of it, which can be removed by means of the provided lifting key.

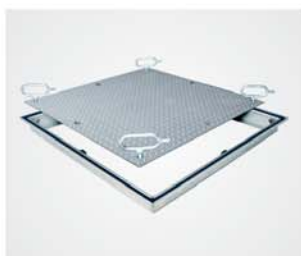
Load: Up to class c250 according to EN 124. See table on page 41

Material: The frame is made of a 2 mm angle profile in hot-dip galvanized steel/stainless steel and the cover is finished in a non-slip stainless steel sheet

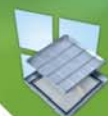
Areas of use: For on grade manholes in indoor or outdoor areas, for which highest quality is required

Opening: A lifting key and installation instructions are included with every FF floor access cover.

Installation: The installation shall be implemented in a professional manner, in accordance with our installation instructions. With types with special sealing joint, a tight connection to the frame profile is to be ensured.



PRO+TR



Item no.	Overall frame size [ca. mm]	Clear opening [ca. mm]	Empty weight [ca. kg]	
Hot-dip galvanized steel				
Height 60 mm	PRO+TR-400400V60	505 x 505	400 x 400	11 kg
	PRO+TR-500500V60	605 x 605	500 x 500	14 kg
	PRO+TR-600600V60	705 x 705	600 x 600	19 kg
	PRO+TR-800800V60	905 x 905	800 x 800	26 kg
	PRO+TR-10001000V60	1105 x 1105	1000 x 1000	40 kg
Stainless steel				
Height 60 mm	PRO+TR-300300E60	405 x 405	300 x 300	7 kg
	PRO+TR-400400E60	505 x 505	400 x 400	10 kg
	PRO+TR-500500E60	605 x 605	500 x 500	13 kg
	PRO+TR-600600E60	705 x 705	600 x 600	18 kg
	PRO+TR-800800E60	905 x 905	800 x 800	27 kg
	PRO+TR-10001000E60	1105 x 1105	1000 x 1000	38 kg



NEW: also available with central drain

Load:

By means of an additional reinforcing crossbeam under the cover, the corresponding load of 125 kN or 250 kN is achieved.



Special benefits of our system

- With fixing clamps for a secure hold - flush-fitting lid
- With a non-slip knurled plate hot-dip galvanized steel or stainless steel
- The built-in frame is only 60 mm high
- With additional reinforcing bars for a load up to 250 kN
- With frost- and weather-proof gasket



watch application video



Comfort key

We recommend our comfort key for easy lifting of the cover

Application example

PRO+TR



watch installation video

PRO+TR D400



watch installation video

Floor access cover system ECO-RIWA

Aluminium tread plate

RibbedLine



Product description:

The floor access cover system ECO-RIWA is made of aluminium. The frame is equipped with a circumferential, frost- and weather-resistant sealing joint. The accessible cover is made of tread plate. The frame is set in concrete on grade and the cover is then inserted. The cover is fixed on the frame by means of a screw connection on the opposite sides. Here, the cover can also be removed by means of the lifting key.



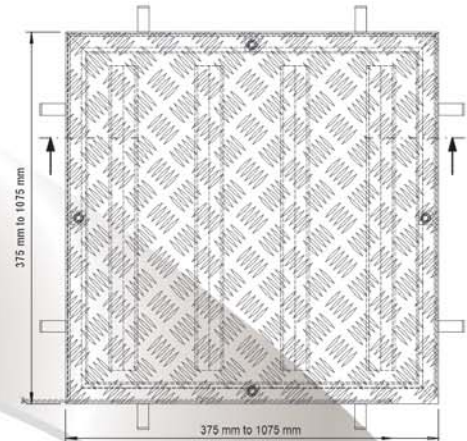
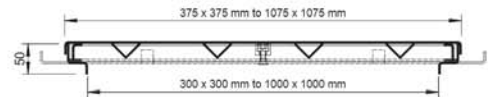
Load: Up to 15 kN testing force according to EN 124 (class A15)

Material: Frame made of 2 mm angular profile and cover made of 3/5 mm aluminium tread plate

Areas of use: For raised ground manholes in indoor or outdoor areas

Item no.	Overall frame size	Clear opening
ECO-RIWA-300300AL50	375 x 375 mm	300 x 300 mm
ECO-RIWA-400400AL50	475 x 475 mm	400 x 400 mm
ECO-RIWA-500500AL50	575 x 575 mm	500 x 500 mm
ECO-RIWA-600600AL50	675 x 675 mm	600 x 600 mm
ECO-RIWA-700700AL50	775 x 775 mm	700 x 700 mm
ECO-RIWA-800800AL50	875 x 875 mm	800 x 800 mm
ECO-RIWA-900900AL50	975 x 975 mm	900 x 900 mm
ECO-RIWA-10001000AL50	1075 x 1075 mm	1000 x 1000 mm

Height: 50 mm



Special benefits of our system

- With 2 pieces of fixing anchors on each side for setting in concrete
- Raised ground cover made of tread plate
- The installation frame has a structural height of 50 mm only
- With additional reinforcement cross-braces
- With circumferential frost- and weather-resistant sealing joint

Opening:

A lifting key and installation instructions are included with every FF floor access cover.

Installation:

The installation shall be implemented in a professional manner in accordance with our installation instructions.



watch application video



Comfort key

We recommend our comfort key for easy lifting of the cover

Application example

Floor access cover system SA3-RI / SA3-TR

Aluminium / Stainless steel - weatherproof accessible square



Application: All types of manholes, for example:

- well shafts
- discharge shafts
- waste water shafts

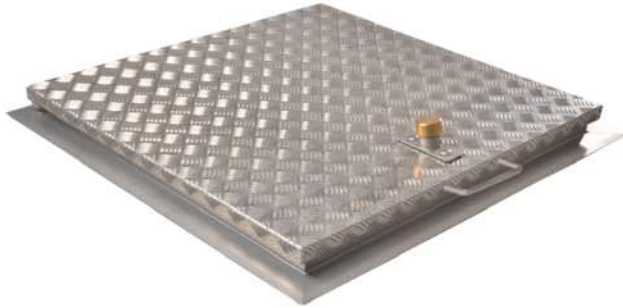
Versions:

Tread plate

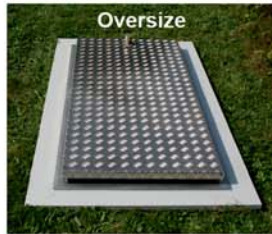
Type RI: Aluminium tread plate

Type TR: Stainless steel tread plate

Load: 15 kN testing force according to EN 124 (class A15)



SA3-RI/TR



Accessories kit:

- External gasket with plugs
- Predisposition for cylinder lock
- Handle for opening from inside

Sealing joints:

Each cover is equipped with a replaceable, frost- and weather resistant rubber joint.

Manhole cover: Solid cover made from 4 mm aluminium/stainless steel tread plate with internal safety stay (protects against accidental closing of the cover / hand release only), with self-closing latch and brass cap, can only be opened with the service key, with gas pressure spring as opening assistance, with solid, concealed hinges on the frame, cover opening angle approx. 100°, delivered with service key.

Frames:

Type ES1: Made from stainless steel profile with wall anchor for embedding or with stainless steel profile for installation with bolts, including fastening material (standard frame).

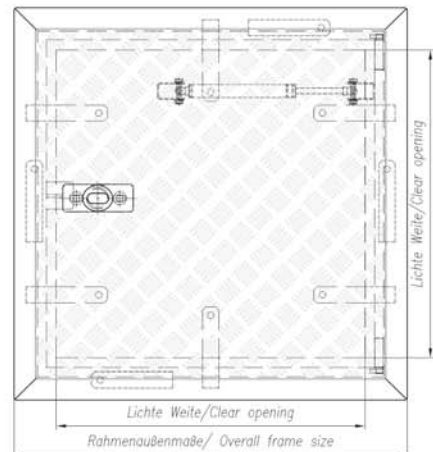
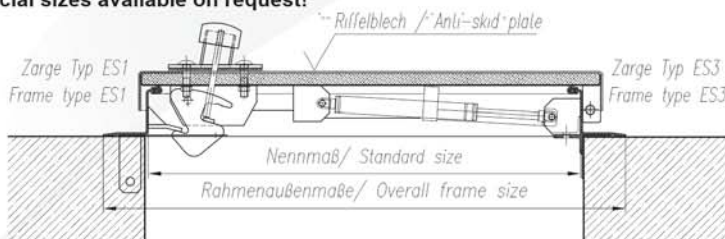
Type ES3: Made from stainless steel profile with angle profile frame for plastering and welded wall anchors for embedding. Cover screwed inside on basic frame.

	Item no.	Standard size	Clear opening	Overall frame size
Type RI	Aluminium			
	SA3-RI-600600AL	600 mm	570 x 570 mm	726 x 726 mm
	SA3-RI-800800AL	800 mm	770 x 770 mm	926 x 926 mm
	SA3-RI-10001000AL	1000 mm	970 x 970 mm	1126 x 1126 mm
	SA3-RI-12001200AL	1200 mm	1170 x 1170 mm	1326 x 1326 mm
Type TR	Stainless steel			
	SA3-TR-600600E	600 mm	570 x 570 mm	726 x 726 mm
	SA3-TR-800800E	800 mm	770 x 770 mm	926 x 926 mm
	SA3-TR-10001000E	1000 mm	970 x 970 mm	1126 x 1126 mm
	SA3-TR-12001200E	1200 mm	1170 x 1170 mm	1326 x 1326 mm

Special sizes available on request!

NEW:

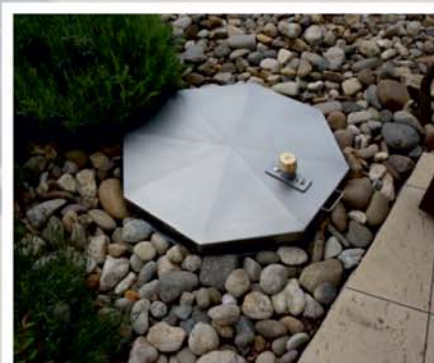
Now also available in oversizes!



produciamo soluzioni

FF Systems Italia

Sistemi d'ispezione



SHAFT *Line*

produciamo soluzioni

FF Systems Italia

Sistemi d'ispezione



Application: All types of manholes, as for example:

- well shafts
- discharge shafts
- waste water shafts

Versions:

- Type A:** without insulation
- Type B:** with insulation
- Type C:** with air vent, without insulation
- Type D:** with air vent, with insulation



Sandblasted surface



SA1



Manhole cover: Solid cover made from stainless steel, centrally raised profile, with internal safety stay (prevents from accidental closing of the cover / only hand release), with self-closing latch and brass cap, can only be opened with the service key, assisted opening with gas spring, with solid, concealed hinges on the frame, cover opening angle approx. 100°, delivered with service key.

Frames:

Type ES1: Made from stainless steel profile with wall anchor for embedding or with stainless steel profile for installation with bolts, incl. fastening material (standard frame).

Type ES3: Made from stainless steel profile with angle profile frame for plastering and welded wall anchors for embedding. Cover screwed inside on basic frame.

Accessory kit:

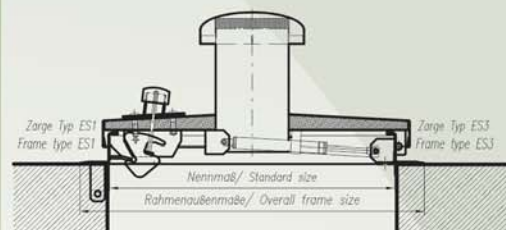
- External gasket with plugs
- Predisposition for cylinder lock
- Handle for opening from the inside

Sealing joints:

Each cover is equipped with a replaceable, frost-and weather-resistant rubber joint

	Item no.	Material	Standard size	Clear opening	Overall frame size
Type A	SA1-600600A	1.4301 / 1.4571	600 mm	570 x 570 mm	726 x 726 mm
	SA1-800800A	1.4301 / 1.4571	800 mm	770 x 770 mm	926 x 926 mm
	SA1-10001000A	1.4301 / 1.4571	1000 mm	970 x 970 mm	1126 x 1126 mm
	SA1-12001200A	1.4301 / 1.4571	1200 mm	1170 x 1170 mm	1326 x 1326 mm
Type B	SA1-600600B	1.4301 / 1.4571	600 mm	570 x 570 mm	726 x 726 mm
	SA1-800800B	1.4301 / 1.4571	800 mm	770 x 770 mm	926 x 926 mm
	SA1-10001000B	1.4301 / 1.4571	1000 mm	970 x 970 mm	1126 x 1126 mm
	SA1-12001200B	1.4301 / 1.4571	1200 mm	1170 x 1170 mm	1326 x 1326 mm
Type C	SA1-600600C	1.4301 / 1.4571	600 mm	570 x 570 mm	726 x 726 mm
	SA1-800800C	1.4301 / 1.4571	800 mm	770 x 770 mm	926 x 926 mm
	SA1-10001000C	1.4301 / 1.4571	1000 mm	970 x 970 mm	1126 x 1126 mm
	SA1-12001200C	1.4301 / 1.4571	1200 mm	1170 x 1170 mm	1326 x 1326 mm
Type D	SA1-600600D	1.4301 / 1.4571	600 mm	570 x 570 mm	726 x 726 mm
	SA1-800800D	1.4301 / 1.4571	800 mm	770 x 770 mm	926 x 926 mm
	SA1-10001000D	1.4301 / 1.4571	1000 mm	970 x 970 mm	1126 x 1126 mm
	SA1-12001200D	1.4301 / 1.4571	1200 mm	1170 x 1170 mm	1326 x 1326 mm

Special sizes available on request!



Application: All types of manholes, as for example:

- well shafts
- discharge shafts
- waste water shafts

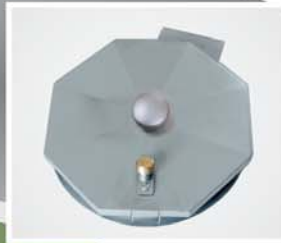
Versions:

- Type RA:** without insulation
- Type RB:** with insulation
- Type RC:** with air vent, without insulation
- Type RD:** with air vent, with insulation



Sandblasted surface

SA2



Manhole cover: Solid cover made from stainless steel, centrally raised profile, with internal safety stay (prevents from accidental closing of the cover / only hand release), with self-closing latch and brass cap, can only be opened with the service key, assisted opening with gas spring, with solid, concealed hinges on the frame, cover opening angle approx. 100°, delivered with service key.

Accessory kit:

- External gasket with plugs
- Predisposition for cylinder lock
- Handle for opening from the inside

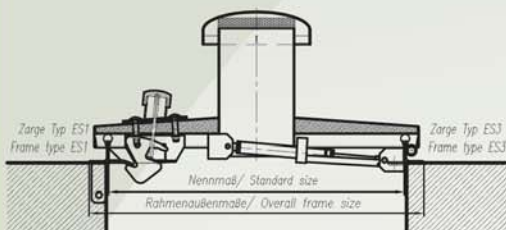
Frames:

Type ES1: Made from stainless steel profile with wall anchor for embedding or with stainless steel profile for installation with bolts, incl. fastening material (standard frame).

Type ES3: Made from stainless steel profile with angle profile frame for plastering and welded wall anchors for embedding. Cover screwed inside on basic frame.

Sealing joints:

Each cover is equipped with a replaceable, frost-and weather-resistant rubber joint



	Item no.	Material	Standard size	Clear opening	Overall frame size
Type RA	SA2-600RA	1.4301 / 1.4571	620 mm	620 mm	700 mm
	SA2-800RA	1.4301 / 1.4571	800 mm	800 mm	880 mm
	SA2-1000RA	1.4301 / 1.4571	1000 mm	1000 mm	1080 mm
	SA2-1200RA	1.4301 / 1.4571	1200 mm	1200 mm	1280 mm
Type RB	SA2-600RB	1.4301 / 1.4571	620 mm	620 mm	700 mm
	SA2-800RB	1.4301 / 1.4571	800 mm	800 mm	880 mm
	SA2-1000RB	1.4301 / 1.4571	1000 mm	1000 mm	1080 mm
	SA2-1200RB	1.4301 / 1.4571	1200 mm	1200 mm	1280 mm
Type RC	SA2-600RC	1.4301 / 1.4571	620 mm	620 mm	700 mm
	SA2-800RC	1.4301 / 1.4571	800 mm	800 mm	880 mm
	SA2-1000RC	1.4301 / 1.4571	1000 mm	1000 mm	1080 mm
	SA2-1200RC	1.4301 / 1.4571	1200 mm	1200 mm	1280 mm
Type RD	SA2-600RD	1.4301 / 1.4571	620 mm	620 mm	700 mm
	SA2-800RD	1.4301 / 1.4571	800 mm	800 mm	880 mm
	SA2-1000RD	1.4301 / 1.4571	1000 mm	1000 mm	1080 mm
	SA2-1200RD	1.4301 / 1.4571	1200 mm	1200 mm	1280 mm

Special sizes available on request!

SA2



watch installation video

SA2 round with insulation



watch installation video

SA2 round without insulation



watch installation video

produciamo soluzioni

FF Systems Italia

Sistemi d'ispezione

Manhole cover weatherproof burglary-resistant square SA3



Application: All types of manholes, as for example:

- well shafts
- discharge shafts
- waste water shafts

Versions:

- Type E:** without insulation
- Type F:** with insulation
- Type G:** with air vent, without insulation
- Type H:** with air vent, with insulation



Manhole cover: Solid cover made from 4 mm stainless steel, with internal safety stay (prevents from accidental closing of the cover / only hand release), with self-closing latch and brass cap, can only be opened with the service key, assisted opening with gas spring, with solid, concealed hinges on the frame, cover opening angle approx. 100°, delivered with service key.

Frames:

Type ES1: Made from stainless steel profile with wall anchor for embedding or with stainless steel profile for installation with bolts, incl. fastening material (standard frame).

Type ES3: Made from stainless steel profile with angle profile frame for plastering and welded wall anchors for embedding. Cover screwed inside on basic frame.

Accessory kit:

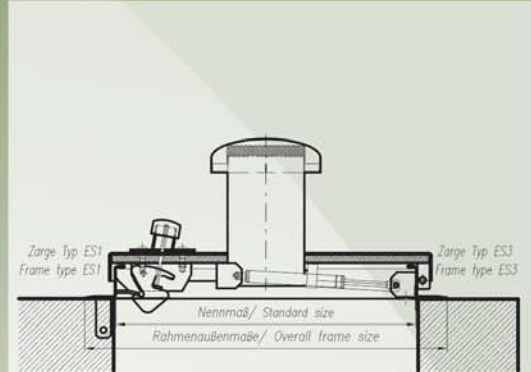
- External gasket with plugs
- Predisposition for cylinder lock
- Handle for opening from the inside

Sealing joints:

Each cover is equipped with a replaceable, frost- and weather-resistant rubber joint

	Item no.	Material	Standard size	Clear opening	Overall frame size
Type E	SA3-600600E	1.4301 / 1.4571	600 mm	570 x 570 mm	726 x 726 mm
	SA3-800800E	1.4301 / 1.4571	800 mm	770 x 770 mm	926 x 926 mm
	SA3-10001000E	1.4301 / 1.4571	1000 mm	970 x 970 mm	1126 x 1126 mm
	SA3-12001200E	1.4301 / 1.4571	1200 mm	1170 x 1170 mm	1326 x 1326 mm
Type F	SA3-600600F	1.4301 / 1.4571	600 mm	570 x 570 mm	726 x 726 mm
	SA3-800800F	1.4301 / 1.4571	800 mm	770 x 770 mm	926 x 926 mm
	SA3-10001000F	1.4301 / 1.4571	1000 mm	970 x 970 mm	1126 x 1126 mm
	SA3-12001200F	1.4301 / 1.4571	1200 mm	1170 x 1170 mm	1326 x 1326 mm
Type G	SA3-600600G	1.4301 / 1.4571	600 mm	570 x 570 mm	726 x 726 mm
	SA3-800800G	1.4301 / 1.4571	800 mm	770 x 770 mm	926 x 926 mm
	SA3-10001000G	1.4301 / 1.4571	1000 mm	970 x 970 mm	1126 x 1126 mm
	SA3-12001200G	1.4301 / 1.4571	1200 mm	1170 x 1170 mm	1326 x 1326 mm
Type H	SA3-600600H	1.4301 / 1.4571	600 mm	570 x 570 mm	726 x 726 mm
	SA3-800800H	1.4301 / 1.4571	800 mm	770 x 770 mm	926 x 926 mm
	SA3-10001000H	1.4301 / 1.4571	1000 mm	970 x 970 mm	1126 x 1126 mm
	SA3-12001200H	1.4301 / 1.4571	1200 mm	1170 x 1170 mm	1326 x 1326 mm

Special sizes available on request!



Application: All types of manholes, as for example:

- well shafts
- discharge shafts
- waste water shafts

Versions:

Type RA: without insulation

Type RB: with insulation

Type RC: with air vent, without insulation

Type RD: with air vent, with insulation



Sandblasted surface

SA4



Manhole cover: Solid cover made from 4 mm stainless steel, with internal safety stay (prevents from accidental closing of the cover / only hand release), with self-closing latch and brass cap, can only be opened with the service key, assisted opening with gas spring, with solid, concealed hinges on the frame, cover opening angle approx. 100°, delivered with service key.

Frames:

Type ES1: Made from stainless steel profile with wall anchor for embedding or with stainless steel profile for installation with bolts, incl. fastening material (standard frame).

Type ES3: Made from stainless steel profile with angle profile frame for plastering and welded wall anchors for embedding. Cover screwed inside on basic frame.

Accessory kit:

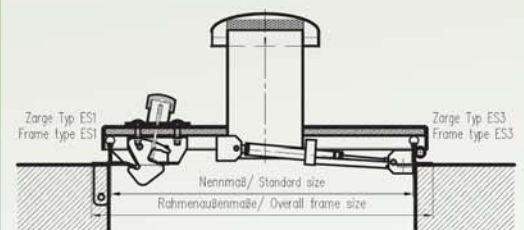
- External gasket with plugs
- Predisposition for cylinder lock
- Handle for opening from the inside

Sealing joints:

Each cover is equipped with a replaceable, frost-and weather-resistant rubber joint

	Item no.	Material	Standard size	Clear opening	Overall frame size
Type RA	SA4-600RA	1.4301 / 1.4571	620 mm	620 mm	700 mm
	SA4-800RA	1.4301 / 1.4571	800 mm	800 mm	880 mm
	SA4-1000RA	1.4301 / 1.4571	1000 mm	1000 mm	1080 mm
	SA4-1200RA	1.4301 / 1.4571	1200 mm	1200 mm	1280 mm
Type RB	SA4-600RB	1.4301 / 1.4571	620 mm	620 mm	700 mm
	SA4-800RB	1.4301 / 1.4571	800 mm	800 mm	880 mm
	SA4-1000RB	1.4301 / 1.4571	1000 mm	1000 mm	1080 mm
	SA4-1200RB	1.4301 / 1.4571	1200 mm	1200 mm	1280 mm
Type RC	SA4-600RC	1.4301 / 1.4571	620 mm	620 mm	700 mm
	SA4-800RC	1.4301 / 1.4571	800 mm	800 mm	880 mm
	SA4-1000RC	1.4301 / 1.4571	1000 mm	1000 mm	1080 mm
	SA4-1200RC	1.4301 / 1.4571	1200 mm	1200 mm	1280 mm
Type RD	SA4-600RD	1.4301 / 1.4571	620 mm	620 mm	700 mm
	SA4-800RD	1.4301 / 1.4571	800 mm	800 mm	880 mm
	SA4-1000RD	1.4301 / 1.4571	1000 mm	1000 mm	1080 mm
	SA4-1200RD	1.4301 / 1.4571	1200 mm	1200 mm	1280 mm

Special sizes available on request!



produciamo soluzioni

FF Systems Italia

Sistemi d'ispezione

Application: In rooms / wells of all types

- wells for fountains and springs
- wells for water interception
- wells for decanting tanks
- well for rainwater recovery

Execution:

- Type E:** without thermal insulation
- Type F:** with thermal insulation



Manhole cover:

- Cover in sturdy 4 mm stainless steel
- Sandblasted surface
- Internal locking device to avoid accidental closing
- Power assisted hydraulic piston and sturdy hidden hinges
- Self-locking closure with oval brass cap
- Cover opening by means of a special key up to approx. 100°

Frame:

Type ES 1: made with stainless steel profile provided with pre-drilled fins, including dowels for direct installation on concrete, or with anchors to be fixed during the specific casting of the support base

Accessory kit:

- External gasket with plugs
- Predisposition for cylinder lock
- Handle for opening from the inside

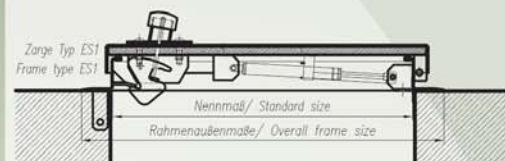
Gaskets:

All manhole covers have on the frame a replaceable perimeter gasket resistant to atmospheric agents

Particularity:

Burglar-proof security lock

	Item no.	Material	Standard size	Clear opening	Overall frame size
Type E	SA5-600600E	1.4301 / 1.4571	600 mm	570 x 570 mm	726 x 726 mm
	SA5-800800E	1.4301 / 1.4571	800 mm	770 x 770 mm	926 x 926 mm
	SA5-10001000E	1.4301 / 1.4571	1000 mm	970 x 970 mm	1126 x 1126 mm
	SA5-12001200E	1.4301 / 1.4571	1200 mm	1170 x 1170 mm	1326 x 1326 mm
Type F	SA5-600600F	1.4301 / 1.4571	600 mm	570 x 570 mm	726 x 726 mm
	SA5-800800F	1.4301 / 1.4571	800 mm	770 x 770 mm	926 x 926 mm
	SA5-10001000F	1.4301 / 1.4571	1000 mm	970 x 970 mm	1126 x 1126 mm
	SA5-12001200F	1.4301 / 1.4571	1200 mm	1170 x 1170 mm	1326 x 1326 mm



Special sizes available on request!

Application: In rooms / wells of all types

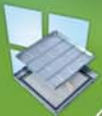
- wells for fountains and springs
- wells for water interception
- wells for decanting tanks
- well for rainwater recovery

Execution:

- Type RA:** without thermic insulation
- Type RB:** with thermic insulation



SA6



Manhole cover:

- Cover in sturdy 4 mm stainless steel
- Sandblasted surface
- Internal locking device to avoid accidental closing
- Power assisted hydraulic piston and sturdy hidden hinges
- Self-locking closure with oval brass cap
- Cover opening by means of a special key up to approx. 100°

Frame:

Type ES 1: made with stainless steel profile provided with pre-drilled fins, including dowels for direct installation on concrete, or with anchors to be fixed during the specific casting of the support base

Accessory kit:

- External gasket with plugs
- Predisposition for cylinder lock
- Handle for opening from the inside
- Burglar-proof security lock

Gaskets:

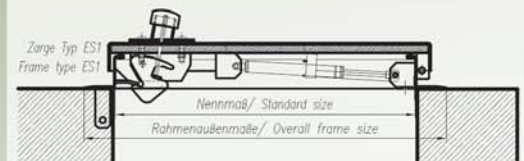
All manhole covers have on the frame a replaceable perimeter gasket resistant to atmospheric agents

Particularity:

Burglar-proof security lock

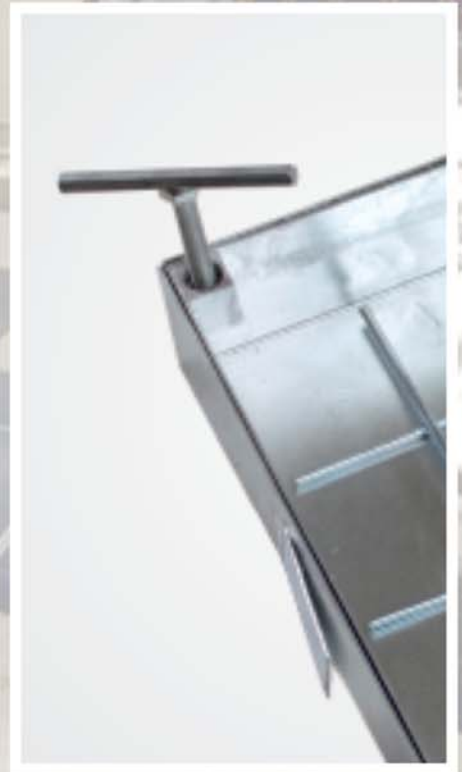
	Item no.	Material	Standard size	Clear opening	Overall frame size
Type RA	SA6-600RA	1.4301 / 1.4571	620 mm	620 mm	700 mm
	SA6-800RA	1.4301 / 1.4571	800 mm	800 mm	880 mm
	SA6-1000RA	1.4301 / 1.4571	1000 mm	1000 mm	1080 mm
	SA6-1200RA	1.4301 / 1.4571	1200 mm	1200 mm	1280 mm
Type RB	SA6-600RB	1.4301 / 1.4571	620 mm	620 mm	700 mm
	SA6-800RB	1.4301 / 1.4571	800 mm	800 mm	880 mm
	SA6-1000RB	1.4301 / 1.4571	1000 mm	1000 mm	1080 mm
	SA6-1200RB	1.4301 / 1.4571	1200 mm	1200 mm	1280 mm

Special sizes available on request!



produciamo soluzioni

FF Systems Italia
Sistemi d'ispezione



produciamo soluzioni

FF Systems Italia

Sistemi d'ispezione



Floor access cover system ECO

Galvanized steel / Stainless steel

EcoLine



Product description:

The floor access cover system ECO is made of 2 mm galvanized steel or stainless steel. Our product range of different tray depths of 50 mm and 100 mm offers a suitable solution for every application. The frame is set in concrete on grade. Subsequently, the tray can be filled and inserted into the frame. The cover can be lifted out on the corner points with the lifting key. The tray can be filled with paving, tiles, concrete, artificial resin, granite, terrazzo tiles, wood and hard floor covering or other materials.



ECO



Load: Up to 400 kN testing force according to EN 124 (class D400). See table on page 41

Material: Frame and tray made of 2 mm galvanized steel or stainless steel

Areas of use: For on grade manholes in indoor and outdoor areas.

Opening:

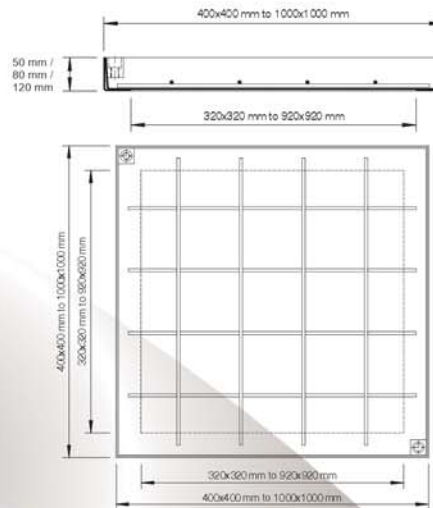
A lifting key and installation instructions are included with every FF floor access cover.

Installation:

The installation shall be implemented in a professional manner in accordance with our installation instructions.



	Item no.	Overall frame size [ca. mm]	Clear opening [ca. mm]	Empty weight [ca. kg]
Height 50 mm	ECO-400400V50	400 x 400	320 x 320	7 kg
	ECO-500500V50	500 x 500	420 x 420	11 kg
	ECO-600600V50	600 x 600	520 x 520	14 kg
	ECO-700700V50	700 x 700	620 x 620	18 kg
	ECO-800800V50	800 x 800	720 x 720	25 kg
	ECO-900900V50	900 x 900	820 x 820	30 kg
	ECO-10001000V50	1000 x 1000	920 x 920	31 kg
Height 120 mm	ECO-400400V120	400 x 400	320 x 320	10 kg
	ECO-500500V120	500 x 500	420 x 420	15 kg
	ECO-600600V120	600 x 600	520 x 520	21 kg
	ECO-700700V120	700 x 700	620 x 620	26 kg
	ECO-800800V120	800 x 800	720 x 720	30 kg
	ECO-900900V120	900 x 900	820 x 820	39 kg
	ECO-10001000V120	1000 x 1000	920 x 920	45 kg
Height 50 mm	ECO-400400E50	400 x 400	320 x 320	7 kg
	ECO-500500E50	500 x 500	420 x 420	9 kg
	ECO-600600E50	600 x 600	520 x 520	12 kg
	ECO-700700E50	700 x 700	620 x 620	16 kg
	ECO-800800E50	800 x 800	720 x 720	19 kg
	ECO-900900E50	900 x 900	820 x 820	24 kg
	ECO-10001000E50	1000 x 1000	920 x 920	27 kg



Special benefits of our system

- With fixing anchors for safe support
- Almost invisible in the installed state
- Tray depths of 50 mm, 80 mm and 120 mm available
- With additional reinforcement cross-braces
- Can be easily opened due to the conic construction method
- On grade for setting in concrete



EasyLifter

We recommend using the EasyLifter for fillable access covers as of a weight of 50 kg (including filling)



watch application video

System ECO 80



watch installation video

System ECO 120



watch installation video

System ECO 120 - D400



watch installation video

Floor access cover system PRO

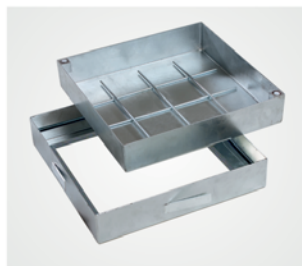
Galvanized steel / Stainless steel

ProfessionalLine



Product description:

The floor access cover system PRO is made of 2 mm galvanized steel or stainless steel. Our product range of different tray depths of 50 mm and 100 mm offers a suitable solution for every application. The frame is equipped with a two-fold, circumferential, frost- and weather-resistant special sealing joint, which is "largely odor- and water-tight". The frame is set in concrete on grade. Subsequently, the tray can be filled and inserted into the frame. The cover can be lifted out on the corner points with the lifting key. The tray can be filled with paving, tiles, concrete, artificial resin, granite, terrazzo tiles, wood and hard floor covering or other materials.



PRO



Load: Up to 400 kN testing force according to EN 124 (class D400). See table on page 41

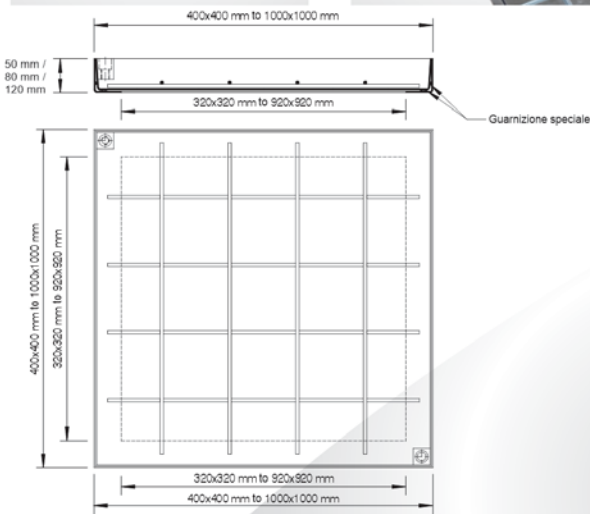
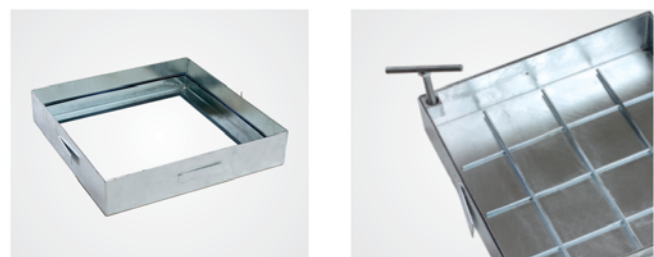
Material: Frame and tray made of 2 mm galvanized steel or stainless steel

Areas of use: For on grade manholes in indoor and outdoor areas.

Opening: A lifting key and installation instructions are included with every FF floor access cover.

Installation:

The installation shall be implemented in a professional manner in accordance with our installation instructions. With types with special sealing joint, a tight connection to the frame profile is to be ensured.



	Item no.	Overall frame size [ca. mm]	Clear opening [ca. mm]	Empty weight [ca. kg]
Height 50 mm	PRO-400400V50	400 x 400	320 x 320	7 kg
	PRO-500500V50	500 x 500	420 x 420	11 kg
	PRO-600600V50	600 x 600	520 x 520	14 kg
	PRO-700700V50	700 x 700	620 x 620	18 kg
	PRO-800800V50	800 x 800	720 x 720	25 kg
	PRO-900900V50	900 x 900	820 x 820	30 kg
	PRO-10001000V50	1000 x 1000	920 x 920	31 kg
Height 80 mm	PRO-400400V80	400 x 400	320 x 320	8 kg
	PRO-500500V80	500 x 500	420 x 420	13 kg
	PRO-600600V80	600 x 600	520 x 520	17 kg
	PRO-700700V80	700 x 700	620 x 620	22 kg
	PRO-800800V80	800 x 800	720 x 720	27 kg
	PRO-900900V80	900 x 900	820 x 820	30 kg
	PRO-10001000V80	1000 x 1000	920 x 920	38 kg
Height 120 mm	PRO-400400V120	400 x 400	320 x 320	10 kg
	PRO-500500V120	500 x 500	420 x 420	15 kg
	PRO-600600V120	600 x 600	520 x 520	21 kg
	PRO-700700V120	700 x 700	620 x 620	26 kg
	PRO-800800V120	800 x 800	720 x 720	30 kg
	PRO-900900V120	900 x 900	820 x 820	39 kg
	PRO-10001000V120	1000 x 1000	920 x 920	45 kg

Special benefits of our system

- With frost- and weather-resistant special sealing joint
- With fixing anchors for safe support
- Almost invisible in the installed state
- Tray depths of 50 mm, 80 mm and 120 mm available
- With additional reinforcement cross-braces
- Can be easily opened due to the conic construction method



EasyLifter

We recommend using the EasyLifter for fillable access covers as of a weight of 50 kg (including filling)



Product description:

- We recommend using the EasyLifter for fillable access covers as of a weight of 50 kg.
- Our EasyLifters are designed for a load of up to 300 kg/EasyLifter. Thus, an easy opening and moving of access covers of up to 600 kg is enabled.
- The lifting height of the EasyLifter is 180 mm.
- Our EasyLifters are delivered including the FF universal bolts with alternatively M10 or M12 threads.
- For the protection of the floor finish of the access cover, a plastic coating is applied to the bottom side of the lifting gear.
- The wheels are equipped with a thermoplastic rubber coating and protect your flooring.
- A trapezoidal thread spindle enables a quick and easy opening of the access cover.

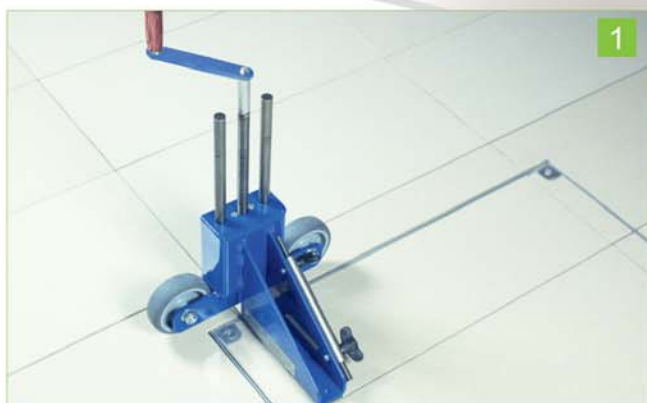
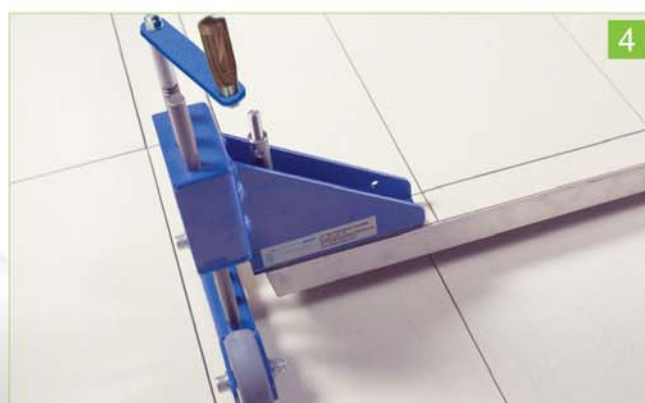
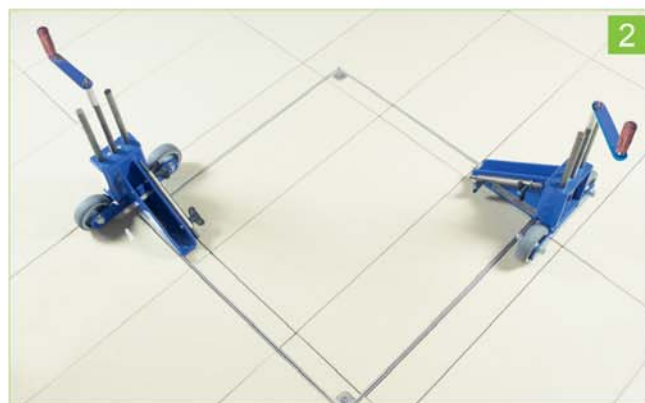
Easy Lifter



EasyLifter For easy lifting of particularly large & heavy covers

Use:

1. Remove the FF universal bolts from the cover
2. Position both EasyLifters diagonally opposite of each other (see pic. 2).
3. Insert the FF universal bolts through the opening of the EasyLifter into the cover and hand-tighten them (see pic. 3).
4. Use the special crank handle to lift the cover until it is just above the ground
5. Now, slowly roll the cover to the side (see pic. 4+5).



watch
application video

produciamo soluzioni

FF Systems Italia

Sistemi d'ispezione

SYSTEM	HEIGHT	DIMENSION	FILLING	CLASS	
PRO+ PRO+BS PRO+TH	V75/E75	up to 600x600	concrete	B125	
		up to 800x800	self-locking	B125	
		beyond 800x800 up to 1000x1000	self-locking	A50	
	ALU75	up to 600x600	concrete	B125	
		up to 800x800	self-locking	B125	
		beyond 800x800 up to 1000x1000	self-locking	A50	
PRO+M PRO+MBS PRO+MTH	V125/E125	up to 400x400	paving max. 8 cm	D400	
		beyond 400x400 up to 800x800	paving max. 8 cm	C250	
MA-GB MA-GBZ MA-BS MA-BSZ	E75	up to 600x600	concrete	B125	
		up to 800x800	self-locking	B125	
		beyond 800x800 up to 1000x1000	self-locking	A50	
MA-WB MA-WT		version 1 strong		B125	
		version 2 ultra strong		D400	
PRO+TR		up to 800x800		C250	
		beyond 800x800 up to 1000x1000		B125	
ECO PRO	V50/E50			A15	
	V80/E80			A50	
	V100/E100			B125	
	V120/E120	up to 700x700			D400
		beyond 700x700 up to 800x800			C250
		beyond 800x800 up to 1000x1000			B125



WATCH OUR INSTALLATION VIDEOS
ON YOUTUBE



VISIT US AT



VISIT OUR WEBSITE AT www.ffsystems.it



The data provided in our catalogues are for information purposes.

For details and technical information please ask our sales department.



A series of horizontal lines for writing, spanning the width of the page.

produciamo soluzioni

FF Systems

 **Italia**

Sistemi d'ispezione

FF SYSTEMS S.R.L.

Via Cà Bianca 36/5

21052 Busto Arsizio (VA)

Phone +39 0 331 / 185 2002

Fax +39 0 331 / 185 2003

E-Mail info@ffsystems.it

www.ffsystems.it



Scan code
for website