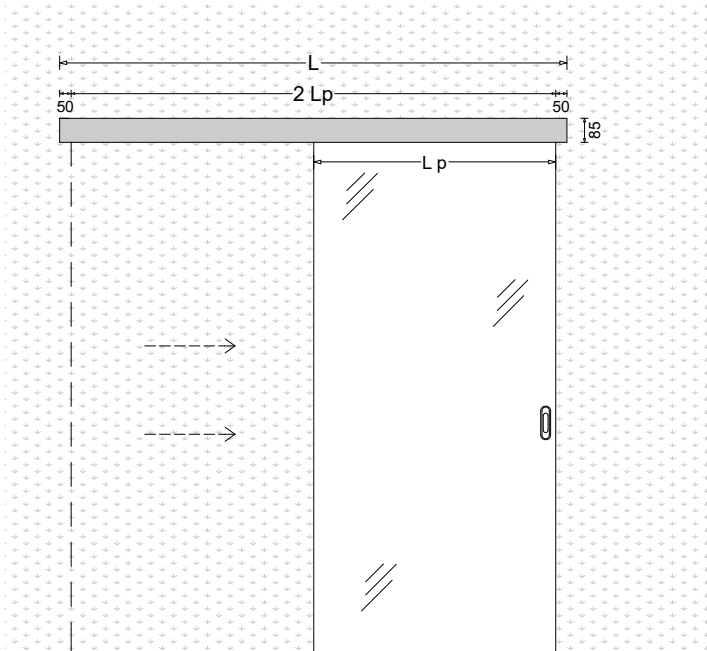
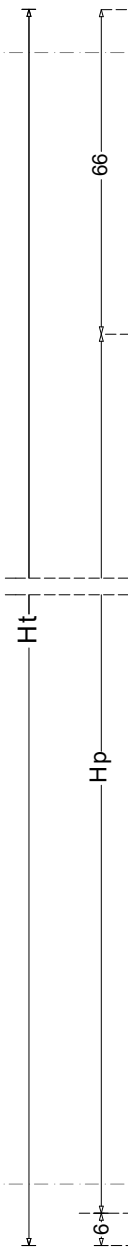
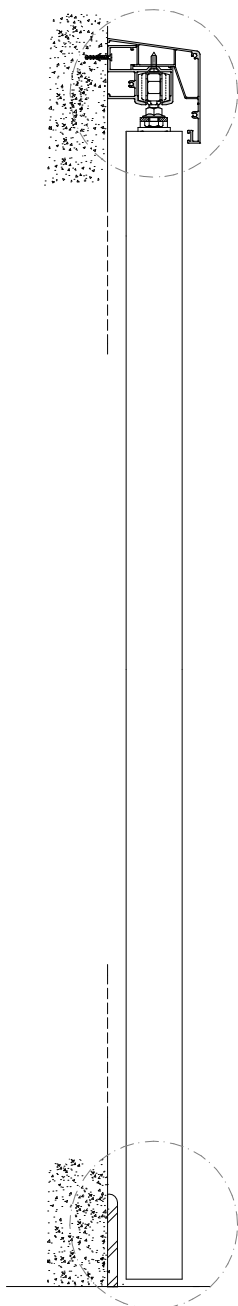


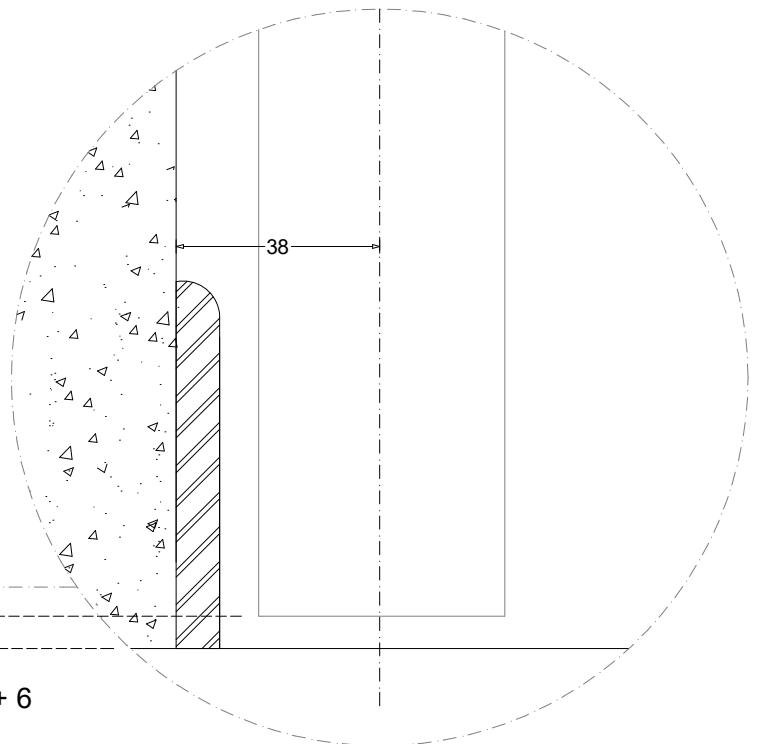
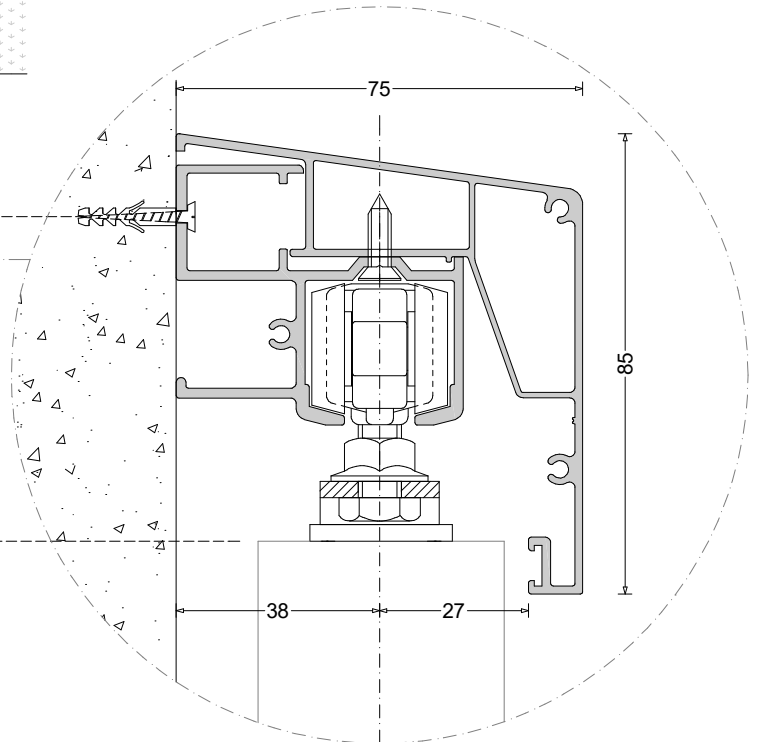
EUROCASSONETTO ALUMINIUM



$$L = 2Lp + 100$$



$$Ht = Hp + 66 + 6$$



EUROCASSONETTO ALUMINIUM

